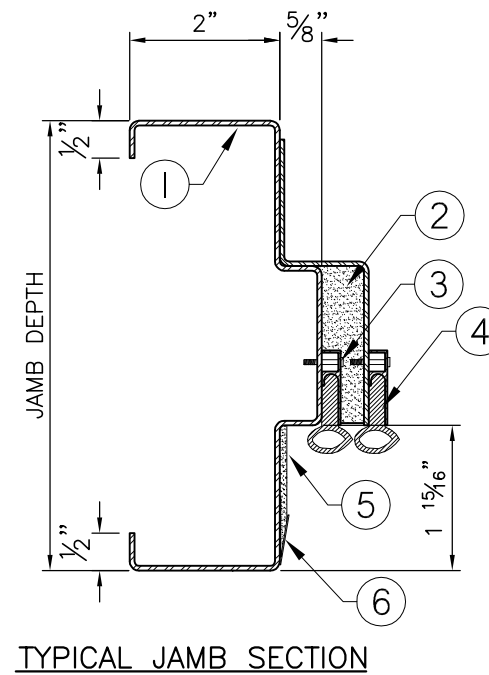
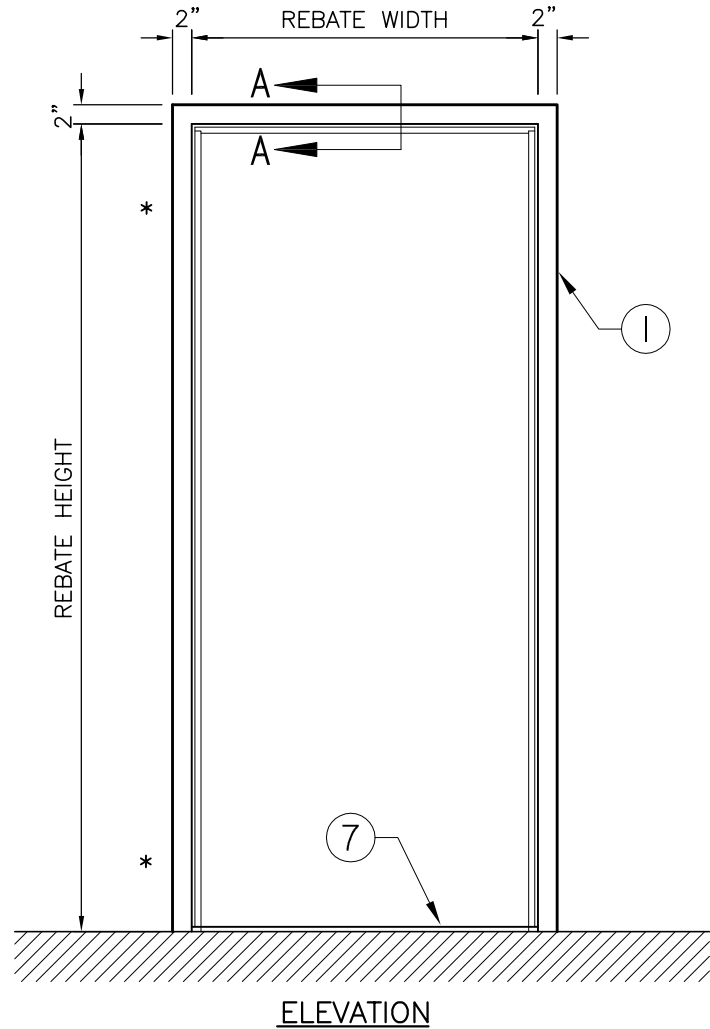


LEGEND:

1. PRESSED STEEL ACOUSTIC FRAME.
2. ACOUSTIC ABSORPTION CHAMBER.
3. ACOUSTIC PERIMETER SEALS TO BE FITTED AND FASTENED TO JAMBS AND HEAD AT SITE.
4. ACOUSTIC PERIMETER SEALS AND BRACKET TO BE FITTED AND FASTENED TO HEADER AT SITE.
5. ACOUSTIC NEOPRENE AT HEADER ONLY. (SHIPPED LOOSE)
6. SECONDARY PERIMETER ACOUSTIC SEAL TO BE FITTED AND FASTENED TO JAMBS AND HEAD BY INSTALLER ON SITE.
7. ¼" HIGH FLAT ACOUSTIC THRESHOLD 5" WIDTH, TO BE INSTALLED ON FINISHED FLOOR.



NOTE:  
 FRAME MUST BE INSTALLED AT FINISHED FLOOR HEIGHT.  
 (DO NOT EMBED IN FLOOR)  
 \* FRAME TO BE PREPARED FOR CAM-LIFT HINGES.