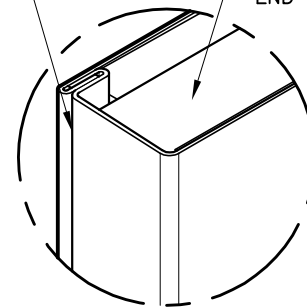


STANDARD VISIBLE FORMED LOCKSEAM DOOR EDGES

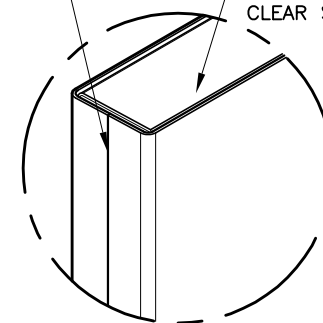
STANDARD RECESSED TOP AND BOTTOM END CHANNELS



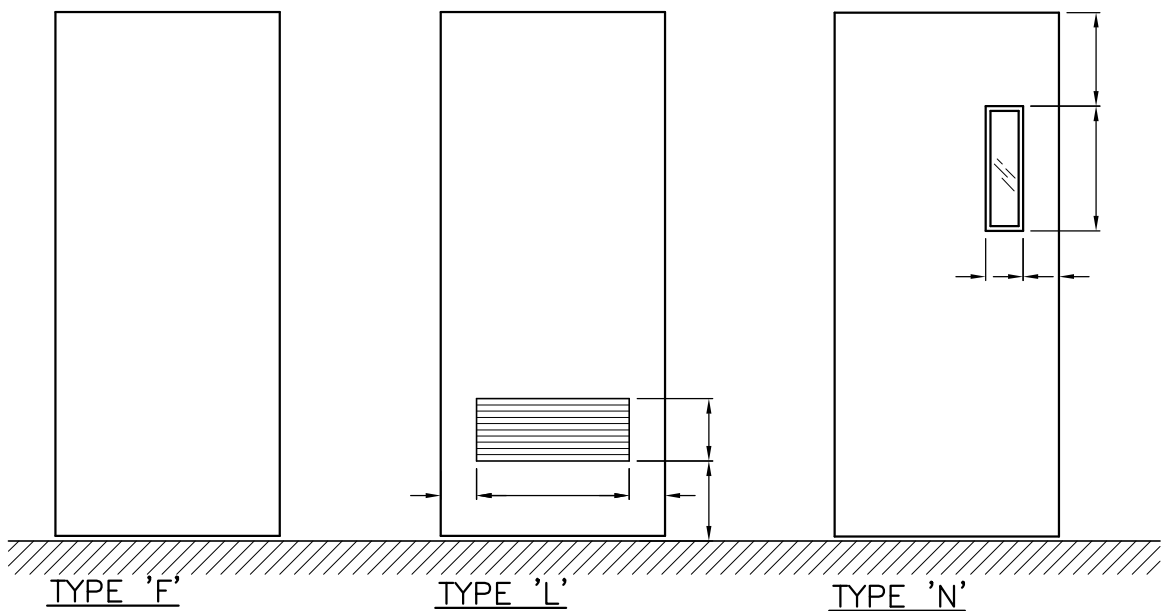
STANDARD LOCKSEAM EDGE & STANDARD END CHANNEL DETAIL

OPTIONAL BUTT FULLY WELDED "SEAMLESS" DOOR EDGES

OPTIONAL CLOSE DOOR ENDS WITH A FLUSH CAP. SEAL RADIUS JOINTS WITH CLEAR SILICONE CAULKING.



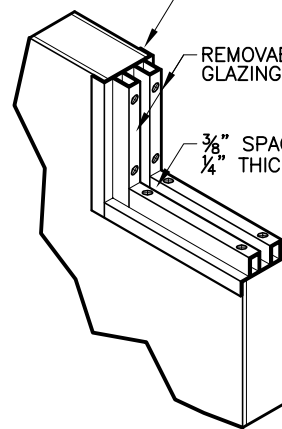
OPTIONAL "SEAMLESS" EDGE & OPTIONAL FLUSH CAP DETAIL



COVER CAP

REMOVABLE GLAZING STOPS

3/8" SPACE FOR 1/4" THICK GLASS



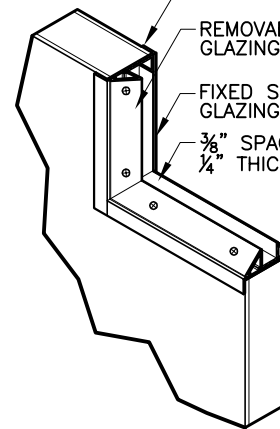
STANDARD GLAZING KIT

COVER CAP

REMOVABLE SLOPED GLAZING STOPS

FIXED SLOPED GLAZING STOPS

3/8" SPACE FOR 1/4" THICK GLASS



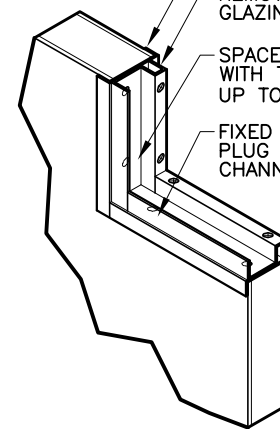
SPECIAL SLOPED GLAZING KIT

COVER CAP

REMOVABLE GLAZING STOPS

SPACE FOR GLASS WITH THICKNESS UP TO 1"

FIXED BLADE STOP PLUG WELDED TO CHANNEL



THICK GLASS GLAZING KIT

NOTE : GLAZING DIMENSIONS REFER TO DOOR CUT-OUT.