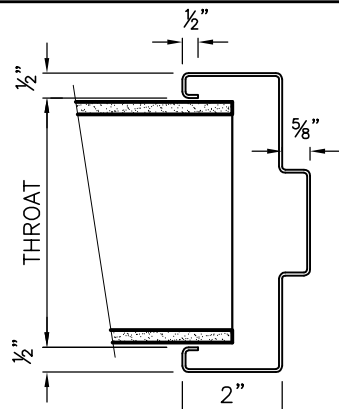
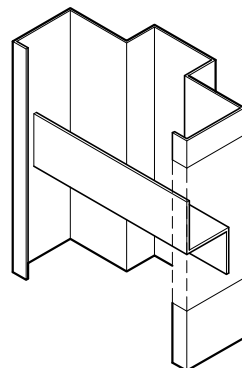


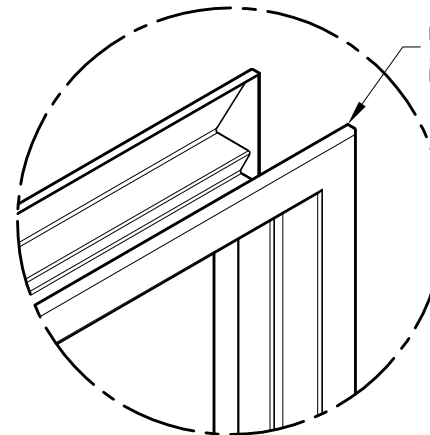
FRAME TYPE 'M'



FRAME TYPE 'A'(ITF)

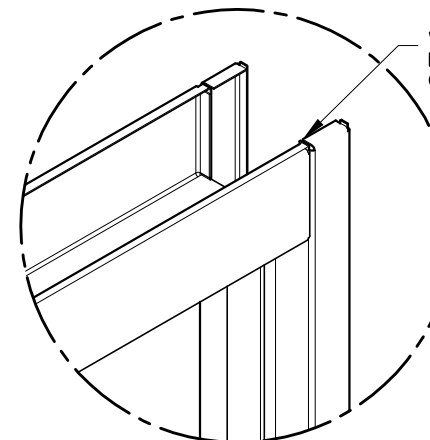


METAL STUD 'Z' ANCHOR



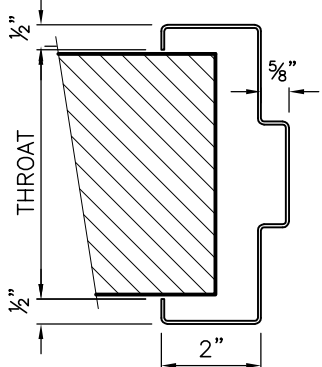
FULLY WELDED AND BUFFED FINISHED CORNER.

MITERED CORNER DETAIL 'A'

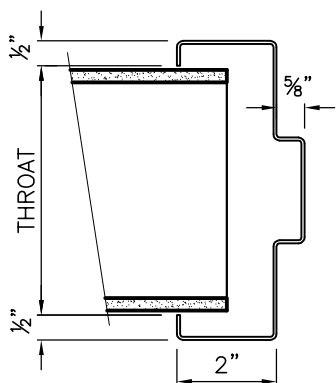


WELDED VISIBLE BUTT JOINT CORNER.

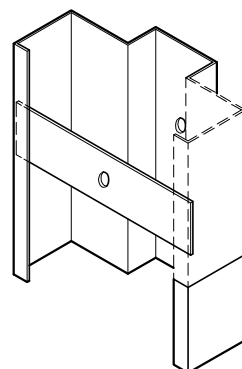
BUTT JOINT CORNER DETAIL 'B'



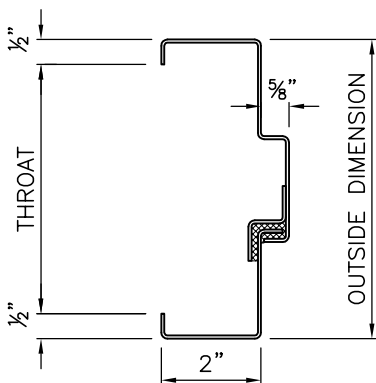
FRAME TYPE 'M' (WRAP)



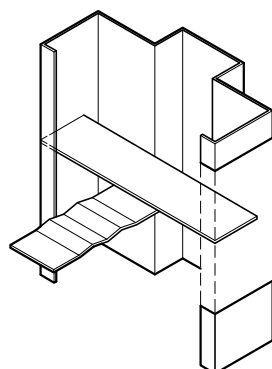
FRAME TYPE 'A'



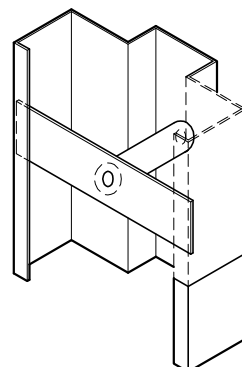
TUBE AND SCREW (T & S)
(NON-FIRE RATED)



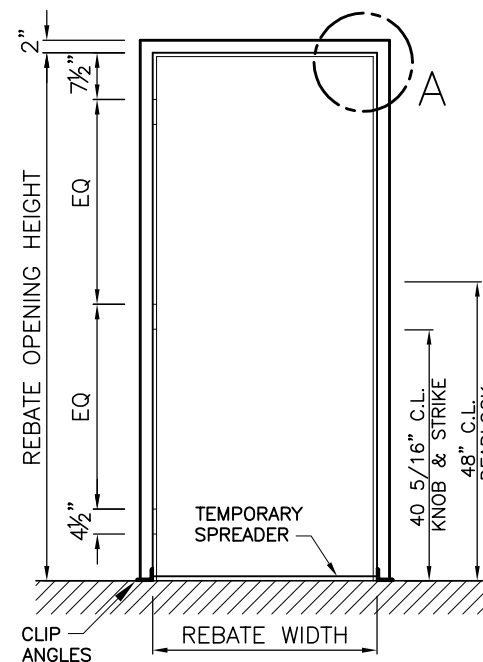
FRAME TYPE 'T.B.' (THERMALLY BROKEN)



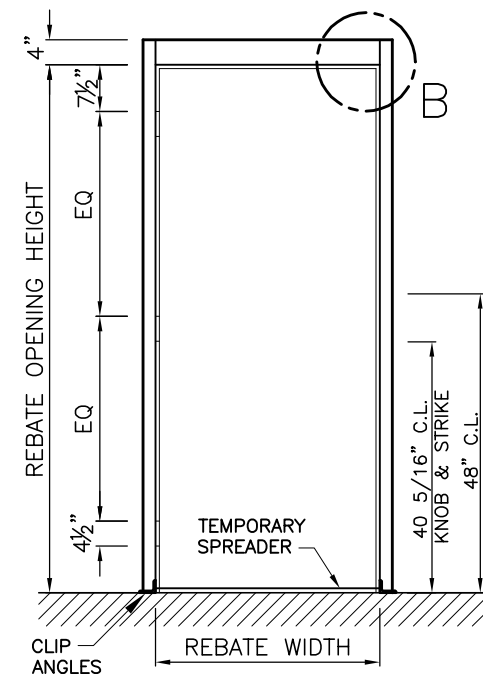
MASONRY 'T' ANCHOR



TUBE AND SCREW (T & S)
(FIRE RATED)



STANDARD 2" FRAME FACE ELEVATION



STANDARD 4" HEADER FACE
FRAME ELEVATION