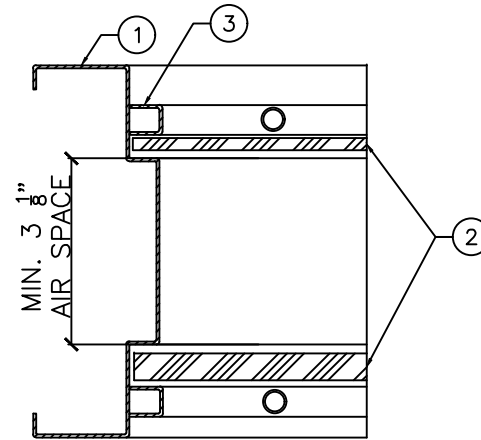
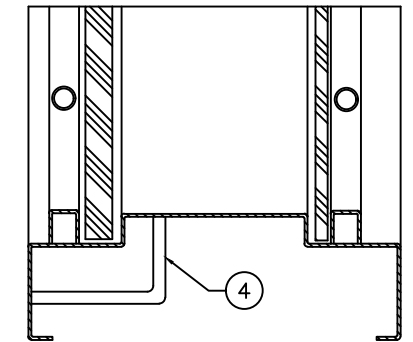
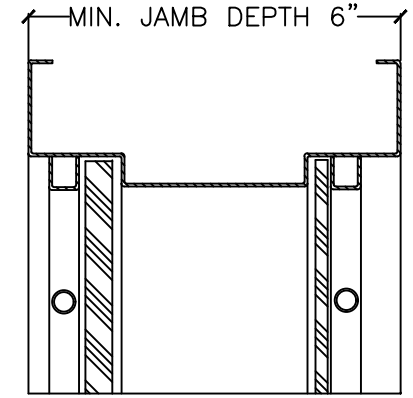


**ELEVATION**  
 $3/4" = 1'-0"$



**DETAIL "A"**  
 $3"-0" = 1'-0"$



**DETAIL "B"**  
 $3"-0" = 1'-0"$

LEGEND:

1. ACOUSTIC STEEL FRAME
2. CLEAR ACOUSTIC LAMINATED GLASS
3. REMOVABLE GLAZING BEADS
4. PURGE PORTS - 2 PLACES



DRAWING TITLE:

**ACOUSTIC BORROWED LITE - SINGLE UNIT**  
**STC 46**

DATE: -

DRAWN BY: -

REVISION: