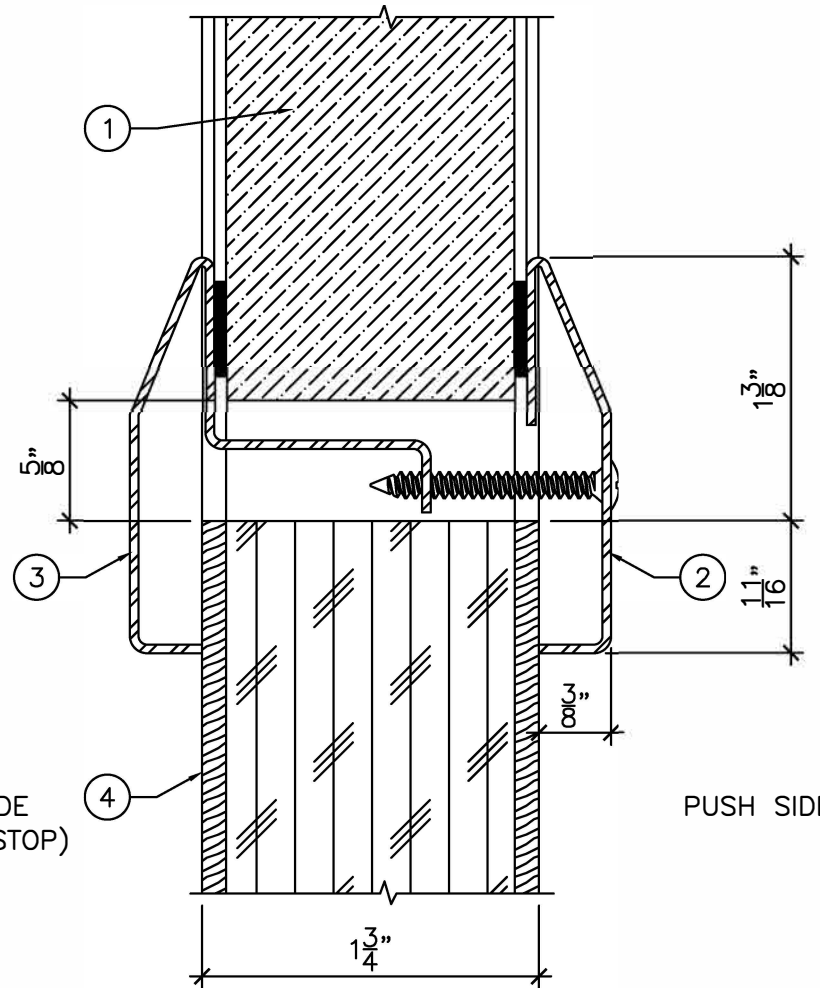


**ELEVATION**

$\frac{3}{4}'' = 1'-0''$

VISION LITE DIMENSIONS SHOWN  
REFER TO CUTOUT SIZE

PULL SIDE  
(FIXED STOP)



**SECTION "A"**

$1'-0'' = 1'-0''$

FOR STC 40 RATING MAX AREA  
OF CUTOUT = 383 SQ.IN.

PUSH SIDE

- LEGEND:
1. CLEAR FIRE LISTED GLASS
  2. REMOVABLE STOP.
  3. NON-REMOVABLE STOP.
  4. ACOUSTIC WOOD FIRE-RATED DOOR.



DRAWING TITLE:

**WOOD DOOR LITE KIT #21 - FIRE RATED**

DATE:

DRAWN BY:

REVISION: