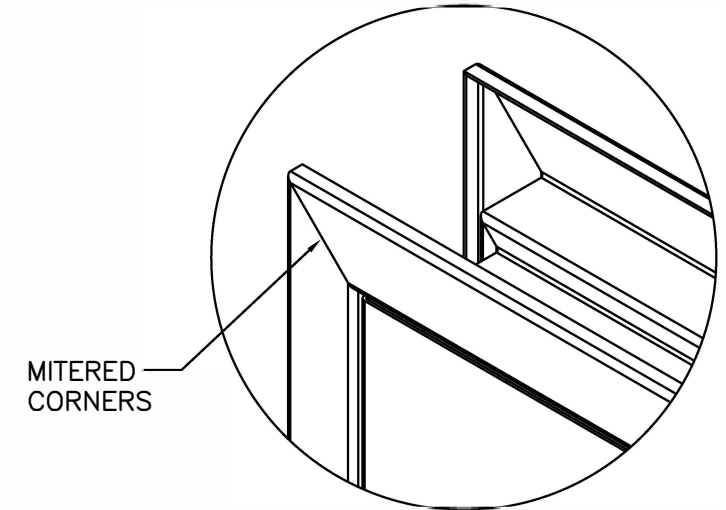
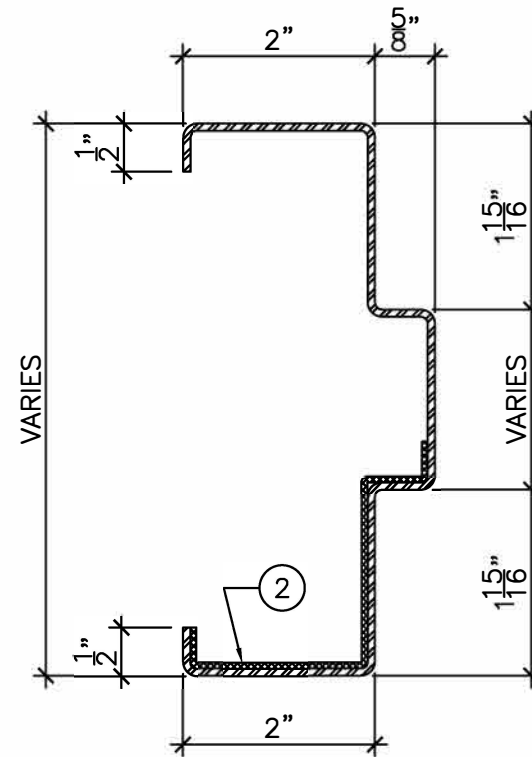
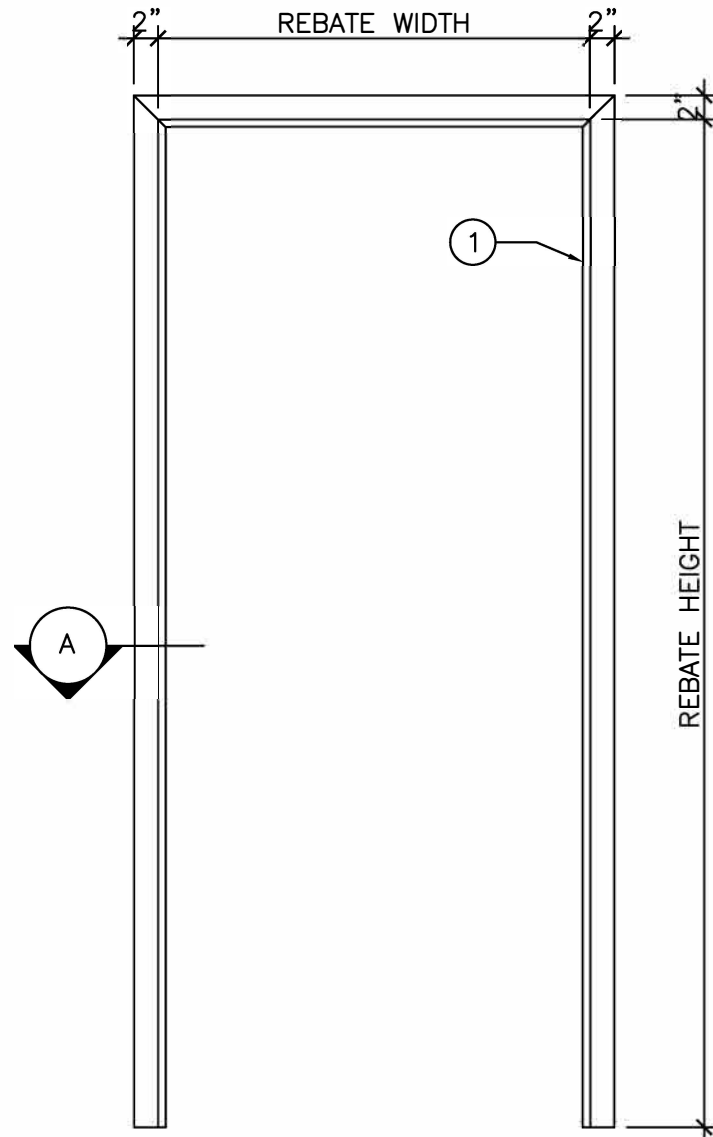


LEGEND:

- 1. FULLY WELDED STEEL FRAME.
- 2. LEAD LINING WRAPS JAMBS AND HEADER.



ELEVATION
3/4" = 1'-0"

DETAIL "A"
6" = 1'-0"



DRAWING TITLE:

LEAD LINED FRAME

DATE:

DRAWN BY:

REVISION:

0