

ELEVATION

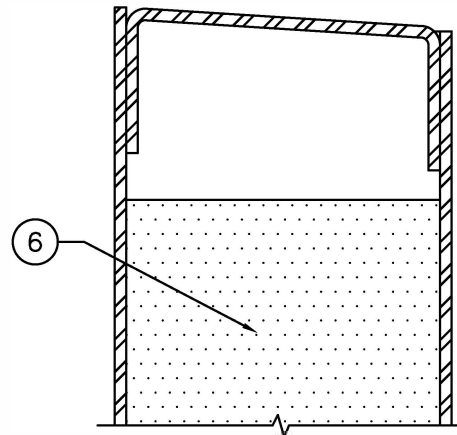
3/4" = 1'-0"

LEGEND:

1. STAINLESS STEEL DOOR WITH FULLY WELDED EDGES.
2. 1/4" X 5" STAINLESS STEEL THRESHOLD FULLY WELDED TO FRAME.
3. RF FINGERSTOCK SEALS TO BE FIT AND APPLIED BY INSTALLER ON SITE.
4. RF SEAL UNDER THRESHOLD TO BE FIT AND APPLIED BY INSTALLER AT SITE.
5. RF SWEEP SEAL TO BE FIT AND APPLIED BY INSTALLER AT SITE.
6. HONEYCOMB OR POLYSTYRENE CORE.

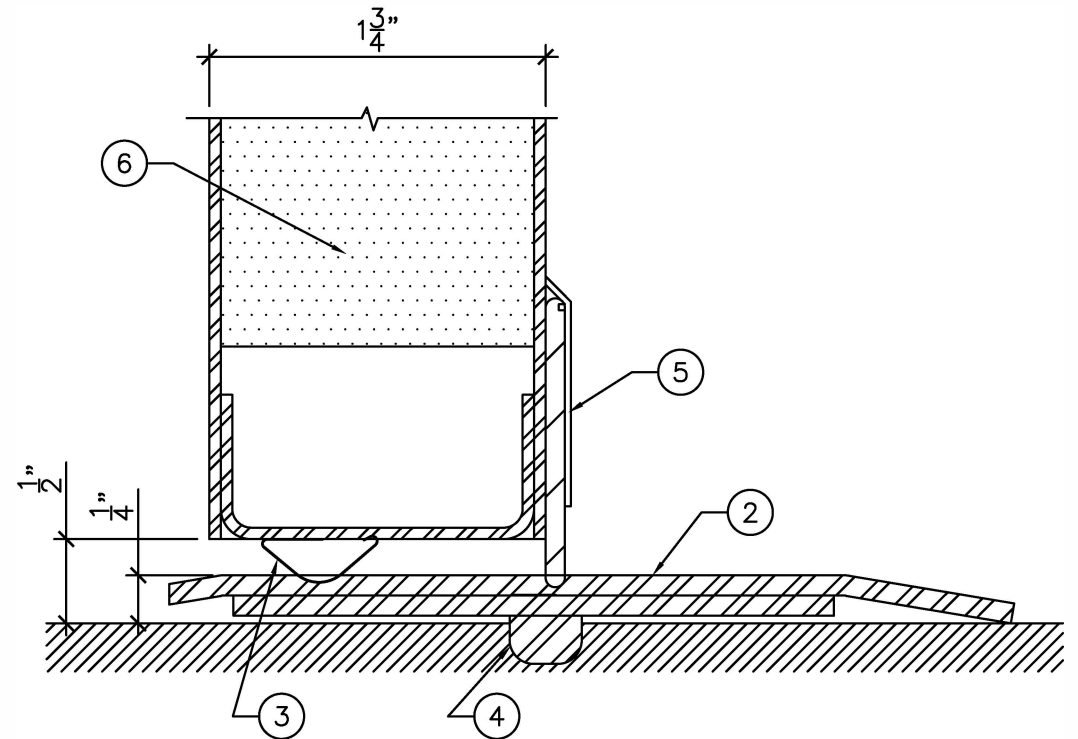
NOTE:

- CAM-LIFT HINGES SUPPLIED BY AMBICO.



SECTION "A"

1"-0" = 1'-0"



SECTION "B"

1"-0" = 1'-0"



DRAWING TITLE:

40 dB RF-SHIELDED DOOR

DATE:

DRAWN BY:

REVISION: