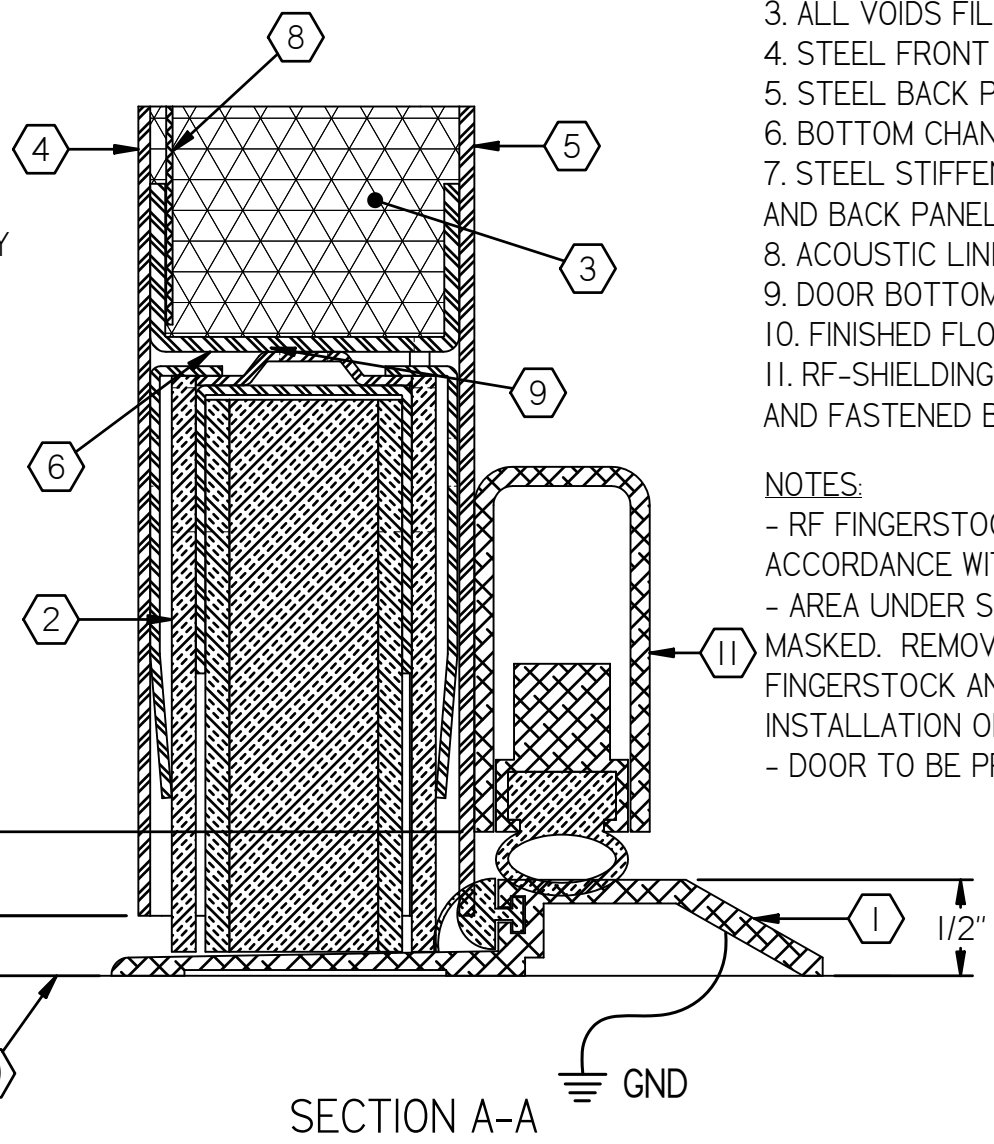


LOCATION OF RF TAPE/PAINT MASK ON PUSH SIDE SKIN OF DOOR (COMES FACTORY APPLIED) - REMOVE PAINT MASK AFTER FINISH PAINTING

LOCATION OF PAINT MASK ON PUSH SIDE SKIN OF DOOR (COMES FACTORY APPLIED)



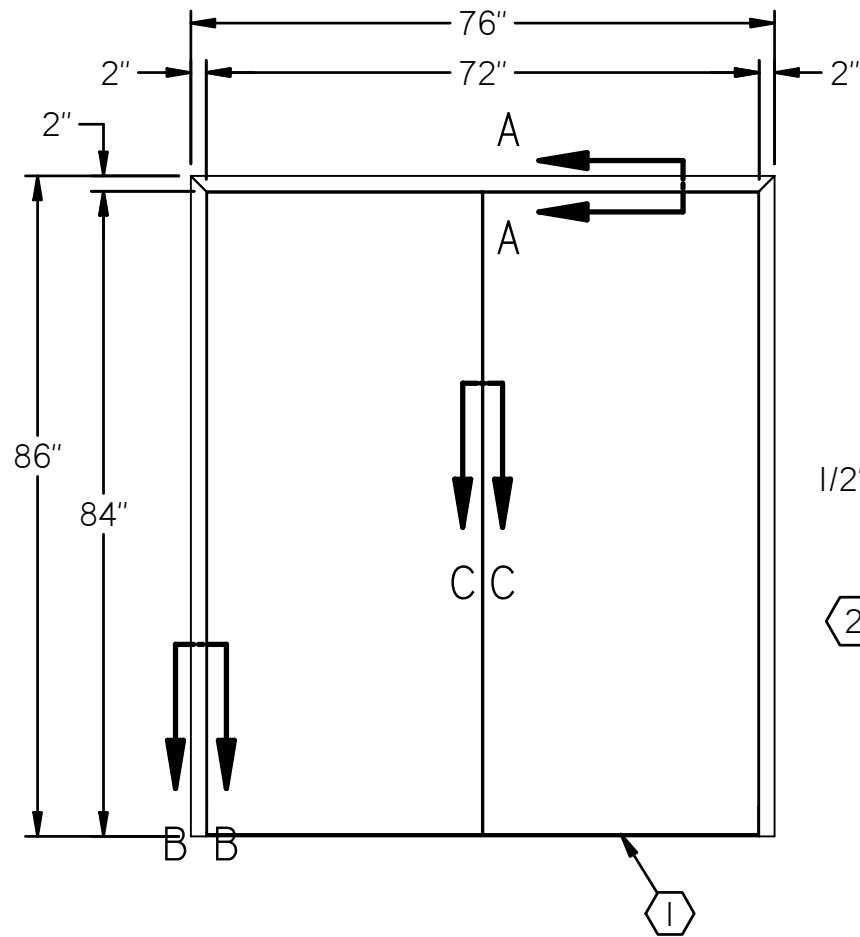
- LEGEND:**
1. 1/2" HIGH STEPPED RF-SHIELDING/ACOUSTIC BUMPER THRESHOLD TO BE GROUNDED AND INSTALLED ON FINISHED FLOOR.
 2. ACOUSTIC MORTISED FIXED DOOR BOTTOM.
 3. ALL VOIDS FILLED WITH SOUND DEADENER.
 4. STEEL FRONT PANEL (SOURCE SIDE).
 5. STEEL BACK PANEL (RECEIVER SIDE).
 6. BOTTOM CHANNEL.
 7. STEEL STIFFENERS PROVIDED, EQUALLY SPACED ON FRONT AND BACK PANELS.
 8. ACOUSTIC LINING.
 9. DOOR BOTTOM RETAINER FASTENED TO BOTTOM CHANNEL.
 10. FINISHED FLOOR.
 11. RF-SHIELDING SURFACE-MOUNTED DROP-BOTTOM FITTED AND FASTENED BY INSTALLER ON SITE.
- NOTES:**
- RF FINGERSTOCK TO BE APPLIED IN THE FIELD IN ACCORDANCE WITH DETAILED INSTALLATION INSTRUCTIONS.
 - AREA UNDER SURFACE-MOUNT DROP-BOTTOM IS PAINT MASKED. REMOVE PAINT MASK PRIOR TO INSTALLATION OF RF FINGERSTOCK AND DROP-BOTTOM. FINISH PAINT AFTER INSTALLATION OF RF FINGERSTOCK AND DROP-BOTTOM.
 - DOOR TO BE PREPPED FOR 1.5 PR CAM-LIFT HINGES.



TITLE : TYPICAL RF-SHIELDED & ACOUSTIC STEEL DOOR & DOOR BOTTOM - 40dB OF RF-SHIELDING & STC 50

ACDB_51_SD.dft

DATE: 11/12/2012	ORDER NO:
DRAWN BY: tberry	CUSTOMER NO:
REVISION: 0	SHEET OF

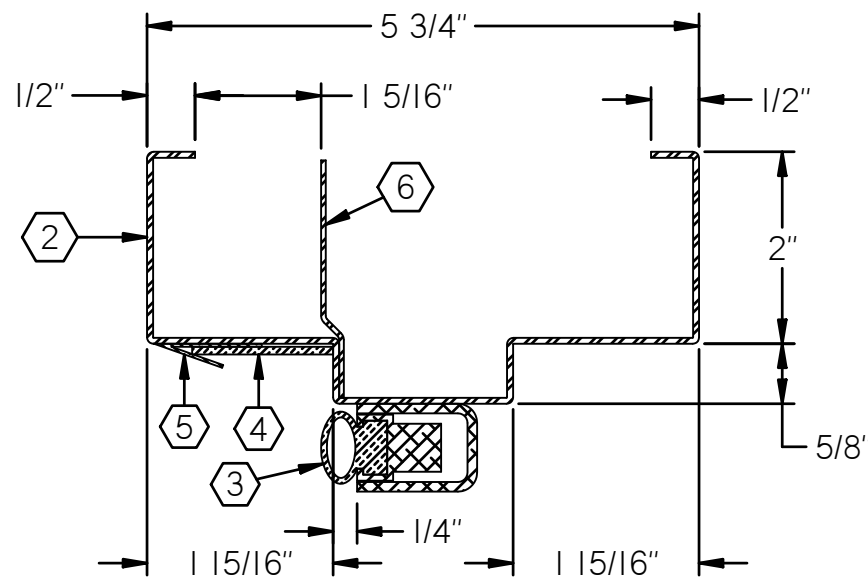


LEGEND:

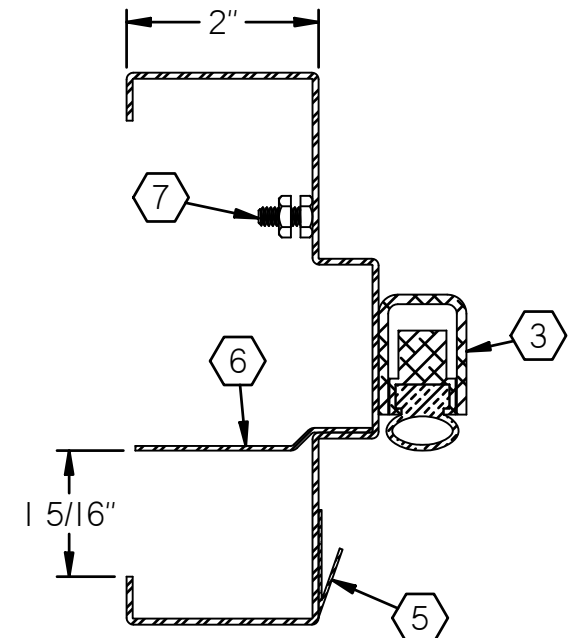
1. 1/2" HIGH RF-SHIELDING/ACOUSTIC BUMPER THRESHOLD TO BE GROUNDED AND INSTALLED ON FINISHED FLOOR.
2. PRESSED STEEL ACOUSTIC FRAME TO BE PREPPED FOR 3 PR CAM-LIFT HINGES AND INSTALLED AT FINISHED FLOOR HEIGHT (DO NOT EMBED IN FLOOR FINISHING).
3. RF-SHIELDING/ACOUSTIC PERIMETER SEALS TO BE FITTED AND FASTENED TO JAMBS AND HEAD BY INSTALLER ON SITE.
4. ACOUSTIC NEOPRENE AT HEADER ONLY TO BE FITTED AND FASTENED BY INSTALLER ON SITE.
5. SECONDARY PERIMETER ACOUSTIC SEAL TO BE FITTED AND FASTENED TO JAMBS AND HEAD BY INSTALLER ON SITE.
6. RF INTERFACE BRACKETS AT JAMBS/HEADER COME WELDED TO FRAME. LOCATION IS DEPENDENT ON WALL CONSTRUCTION - PLEASE ADVISE.
7. #10 MACHINE SCREW AND NUTS PROVIDED FOR ATTACHMENT OF GROUND WIRE/LUG BY INSTALLER ON SITE.

NOTES:

- AREA UNDER PERIMETER SEALS IS PAINT MASKED. REMOVE PAINT MASK PRIOR TO INSTALLATION OF PERIMETER SEALS.
- RF FINGERSTOCK TO BE APPLIED IN THE FIELD IN ACCORDANCE WITH DETAILED INSTALLATION INSTRUCTIONS.



SECTION A-A



SECTION B-B



TITLE : TYPICAL RF-SHIELDED & ACOUSTIC PAIRED FRAME AND PERIMETER SEALS - 40dB OF RF-SHIELDING & STC 50

SGLAC51_SD.dft

DATE: 11/12/2012	ORDER NO:
DRAWN BY: tberry	CUSTOMER NO:
REVISION: 0	SHEET OF

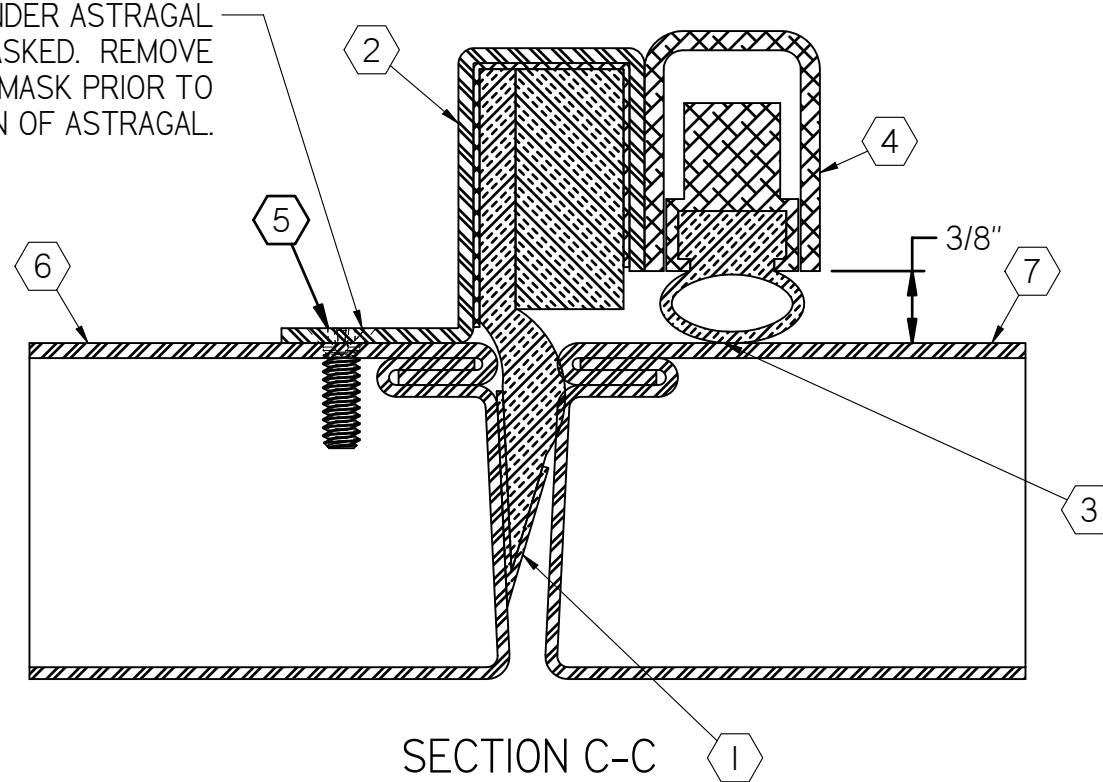
LEGEND:

1. BRONZE ACOUSTIC SEAL FITTED AND FASTENED BY INSTALLER ON SITE. MOUNT ON INSIDE EDGE OF INACTIVE LEAF APPROX. 1/4" BACK FROM EDGE.
2. 14GA RF-SHIELDING/ACOUSTIC ASTRAGAL TO BE FASTENED TO THE PUSH SIDE OF THE INACTIVE DOOR LEAF. SHIP LOOSE FOR SITE INSTALLATION.
3. CONDUCTIVE TAPE/PAINT MASK ON ACTIVE DOOR COMES FACTORY APPLIED.
4. RF-SHIELDING/ACOUSTIC SEAL FITTED AND FASTENED BY INSTALLER ON SITE.
5. #10 FH SCREWS SUPPLIED WITH ASTRAGAL.
6. INACTIVE DOOR LEAF.
7. ACTIVE DOOR LEAF.

NOTES:

- ASTRAGAL IS PRE-ASSEMBLED AS SHOWN EXCEPT FOR RF/ACOUSTIC SEAL AND BRONZE SEAL. THESE SEALS TO BE APPLIED ON SITE AFTER DOORS ARE HUNG.

AREA UNDER ASTRAGAL IS PAINT MASKED. REMOVE PAINT MASK PRIOR TO INSTALLATION OF ASTRAGAL.



TITLE : TYPICAL RF-SHIELDED & ACOUSTIC ASTRAGAL - 40dB OF RF-SHIELDING AND STC 50

DATE: 11/12/2012	ORDER NO:
DRAWN BY: tberry	CUSTOMER NO:
REVISION: 0	SHEET OF