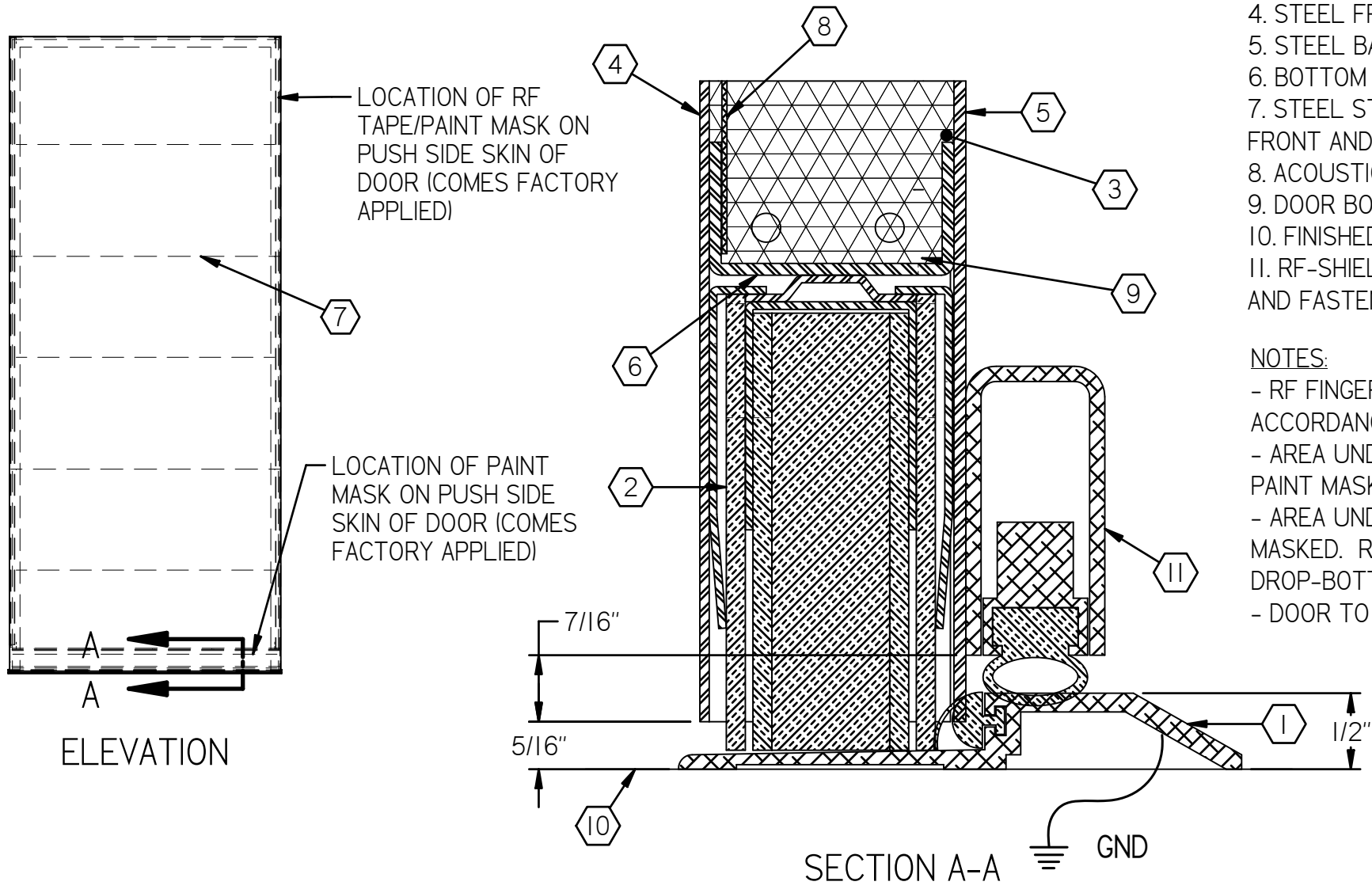


LEGEND:

1. 1/2" HIGH STEPPED RF-SHIELDING/ACOUSTIC BUMPER THRESHOLD TO BE GROUNDED AND INSTALLED ON FINISHED FLOOR.
2. ACOUSTIC MORTISED FIXED DOOR BOTTOM.
3. ALL VOIDS FILLED WITH SOUND DEADENER.
4. STEEL FRONT PANEL (SOURCE SIDE).
5. STEEL BACK PANEL (RECEIVER SIDE).
6. BOTTOM CHANNEL.
7. STEEL STIFFENERS PROVIDED, EQUALLY SPACED ON FRONT AND BACK PANELS.
8. ACOUSTIC LINING.
9. DOOR BOTTOM RETAINER FASTENED TO BOTTOM CHANNEL.
10. FINISHED FLOOR.
11. RF-SHIELDING SURFACE-MOUNTED DROP-BOTTOM FITTED AND FASTENED BY INSTALLER ON SITE.

NOTES:

- RF FINGERSTOCK TO BE APPLIED IN THE FIELD IN ACCORDANCE WITH DETAILED INSTALLATION INSTRUCTIONS.
- AREA UNDER PERIMETER SEALS IS PAINT MASKED. REMOVE PAINT MASK AFTER FINISH PAINTING.
- AREA UNDER SURFACE-MOUNT DROP-BOTTOM IS PAINT MASKED. REMOVE PAINT MASK PRIOR TO INSTALLATION OF DROP-BOTTOM.
- DOOR TO BE PREPPED FOR 1.5 PR CAM-LIFT HINGES.



TITLE : RF-SHIELDED & ACOUSTIC STEEL DOOR & DOOR BOTTOM - 40dB OF RF-SHIELDING & STC 50

ACDB_51_SD.dft

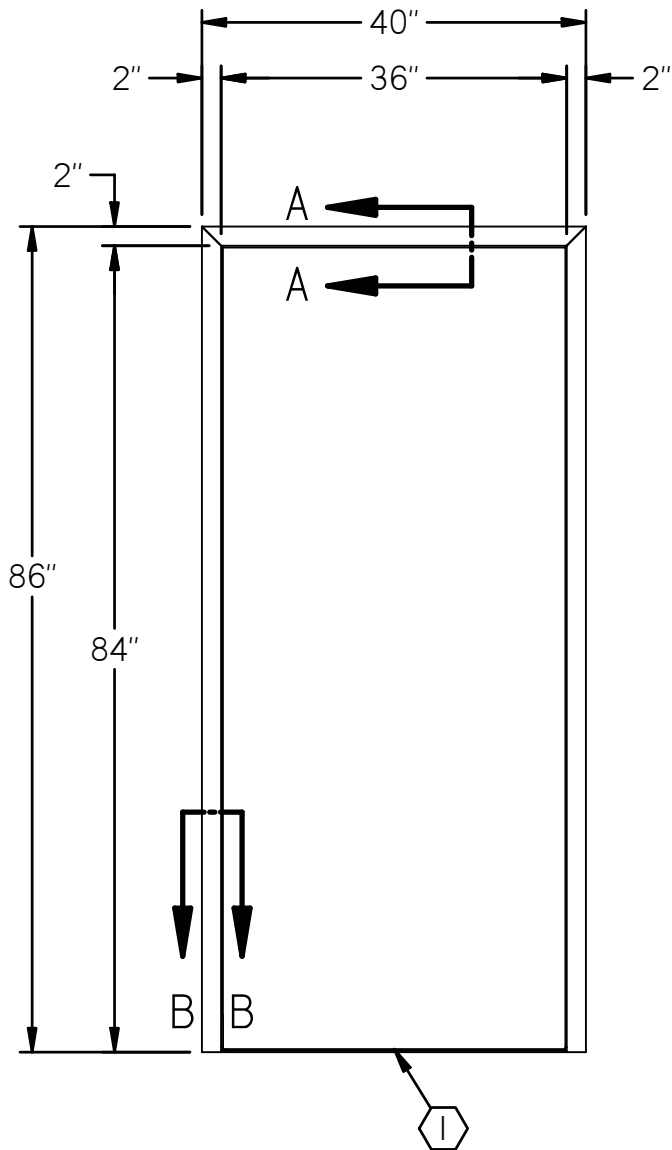
DATE: 11/12/2012	ORDER NO:
DRAWN BY: tberry	CUSTOMER NO:
REVISION: 0	SHEET OF

LEGEND:

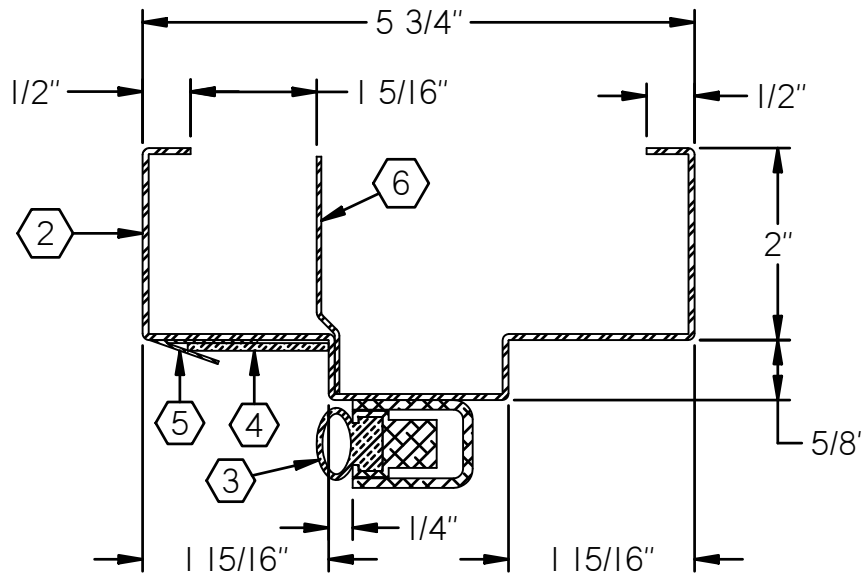
1. 1/2" HIGH RF-SHIELDING/ACOUSTIC BUMPER THRESHOLD TO BE GROUNDED AND INSTALLED ON FINISHED FLOOR.
2. PRESSED STEEL ACOUSTIC FRAME TO BE PREPPED FOR 1.5 PR CAM-LIFT HINGES AND INSTALLED AT FINISHED FLOOR HEIGHT (DO NOT EMBED IN FLOOR FINISHING).
3. RF-SHIELDING/ACOUSTIC PERIMETER SEALS TO BE FITTED AND FASTENED TO JAMBS AND HEAD BY INSTALLER ON SITE.
4. ACOUSTIC NEOPRENE AT HEADER ONLY.
5. SECONDARY PERIMETER ACOUSTIC SEAL TO BE FITTED AND FASTENED TO JAMBS AND HEAD BY INSTALLER ON SITE.
6. RF INTERFACE BRACKETS AT JAMBS/HEADER COME WELDED TO FRAME. LOCATION IS DEPENDENT ON WALL CONSTRUCTION - PLEASE ADVISE.
7. #10 MACHINE SCREW AND NUTS PROVIDED FOR ATTACHMENT OF GROUND WIRE/LUG BY INSTALLER ON SITE.

NOTES:

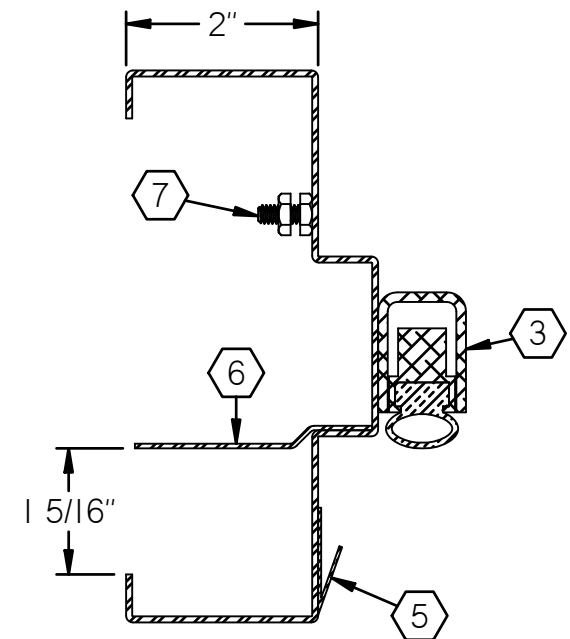
- AREA UNDER PERIMETER SEALS IS PAINT MASKED. REMOVE PAINT MASK PRIOR TO INSTALLATION OF PERIMETER SEALS.
- RF FINGERSTOCK TO BE APPLIED IN THE FIELD IN ACCORDANCE WITH DETAILED INSTALLATION INSTRUCTIONS.



ELEVATION



SECTION A-A



SECTION B-B



TITLE : TYPICAL RF-SHIELDED & ACOUSTIC SINGLE FRAME AND PERIMETER SEALS - 40dB OF RF-SHIELDING & STC 50

SGLAC51_SD.dft

DATE: 11/22/2012	ORDER NO:
DRAWN BY: tberry	CUSTOMER NO:
REVISION: 0	SHEET OF