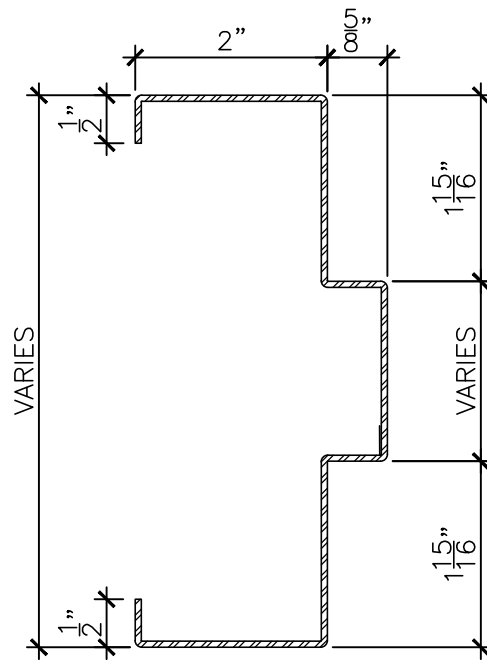


ELEVATION
 $\frac{3}{4}'' = 1'-0''$

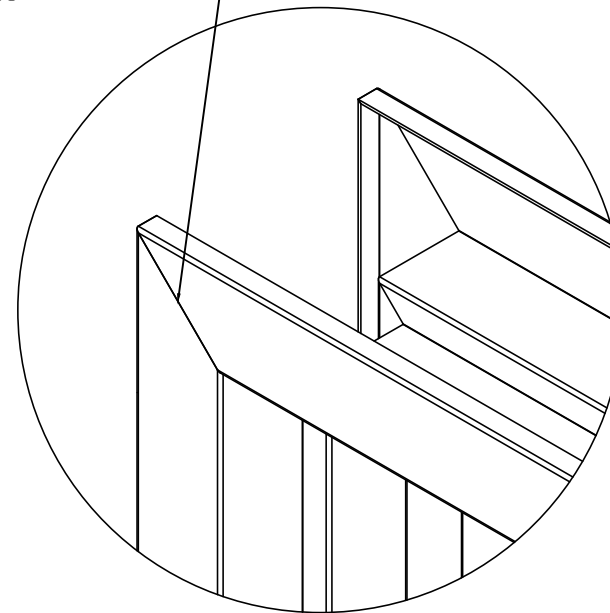
LEGEND:

- 1. PRESSED STEEL FULLY WELDED ATTACK RESISTANT FRAME.



DETAIL "A"
 $6'' = 1'-0''$

FULLY WELDED
 CORNERS



DETAIL "B"
 $3'' = 1'-0''$



DRAWING TITLE:
ATTACK RESISTANT STEEL FRAME FOR SINGLE ATTACK RESISTANT STEEL DOOR

DATE:	2022/03/23
DRAWN BY:	GV
REVISION:	0