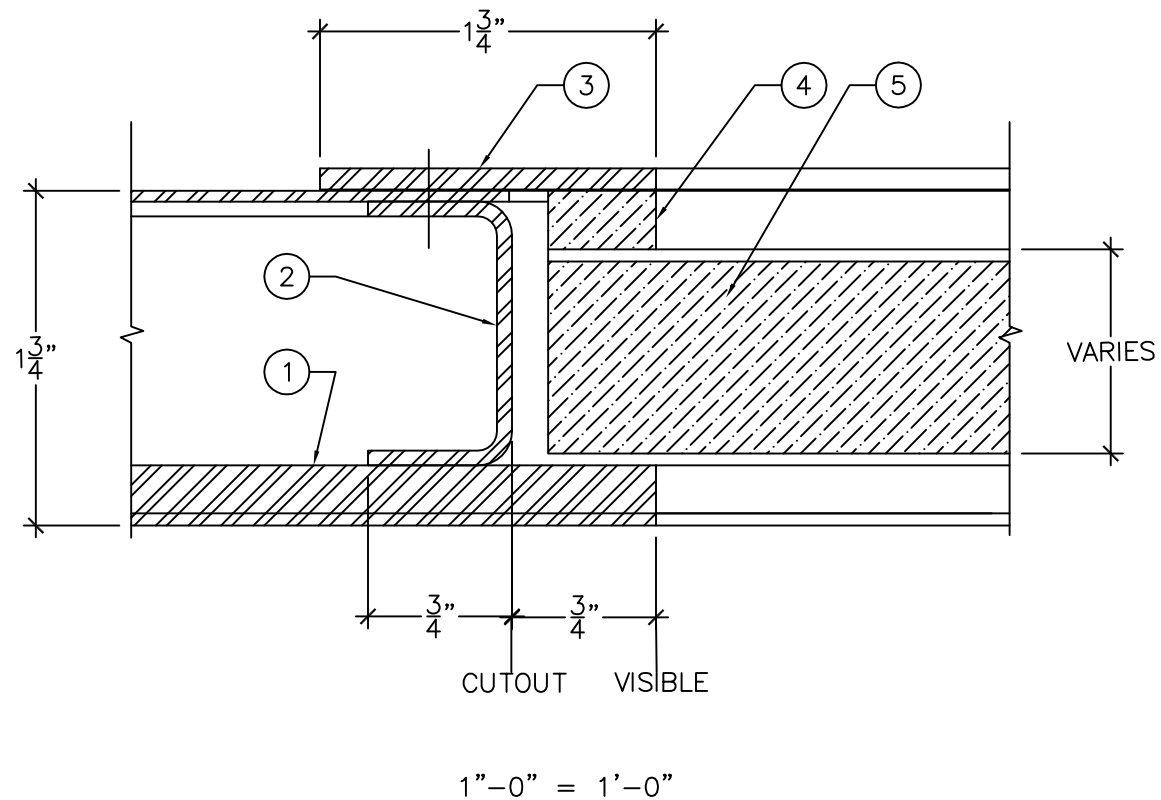


LEGEND:

1. STEEL BULLET PLATE TO UL 752 LEVEL 1-8 AS REQUIRED.
 2. STANDARD RECESSED VISION CHANNELS.
 3. MITERED REMOVABLE GLAZING STOPS.
 4. PLASTIC SHIM TO SUIT GLASS THICKNESS.
 5. ARMOUR SHIELD GLASS TO UL 752 LEVEL 1-8,
UP TO 1 1/4" THICK. GLASS TO BE FACTORY INSTALLED
- NO SPALL FILM POSITIONING:
 - FOR RH/LH - SAME SIDE AS ARMOUR PLATE
 - FOR LHR/RHR OPPOSITE SIDE AS ARMOUR PLATE.



DRAWING TITLE:

BULLET LITE KIT TO UL 752 LEVEL 1-8 FOR GLASS UP TO 1-1/4" THICK

DATE:

DRAWN BY:

REVISION: