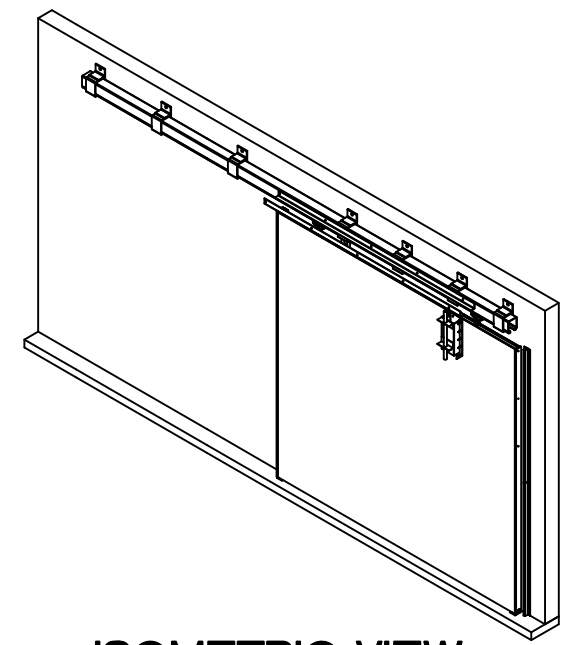


**NOTES:**

- SLIDING BULLET DOOR COMES WITH,
  - TRACK ASSEMBLY, TRACK BRACKETS, DOOR HANGERS AND WHEEL ASSEMBLIES
  - LEADING, FOLLOWING AND TOP OF WALL RETENTION BRACKETS,
  - DOOR STOP, STAY ROLLER CASTER WHEELS, ANCHOR BOLTS AND FASTENERS
  - OPERATOR AND ACCOMPANYING INTERCONNECT ASSEMBLY OPTIONAL
  - VALENCE COVER OPTIONAL (NOT SHOWN)

**CLEAR WALL REQUIREMENTS:**

THE NUMBER OF TRACK BRACKETS AND THE TRACK LENGTHS ARE APPROXIMATE AND DEPEND ON THE SIZE OF THE ROUGH OPENING. PLEASE CONSULT AMBICO FOR EXACT SLIDING DOOR DETAILS



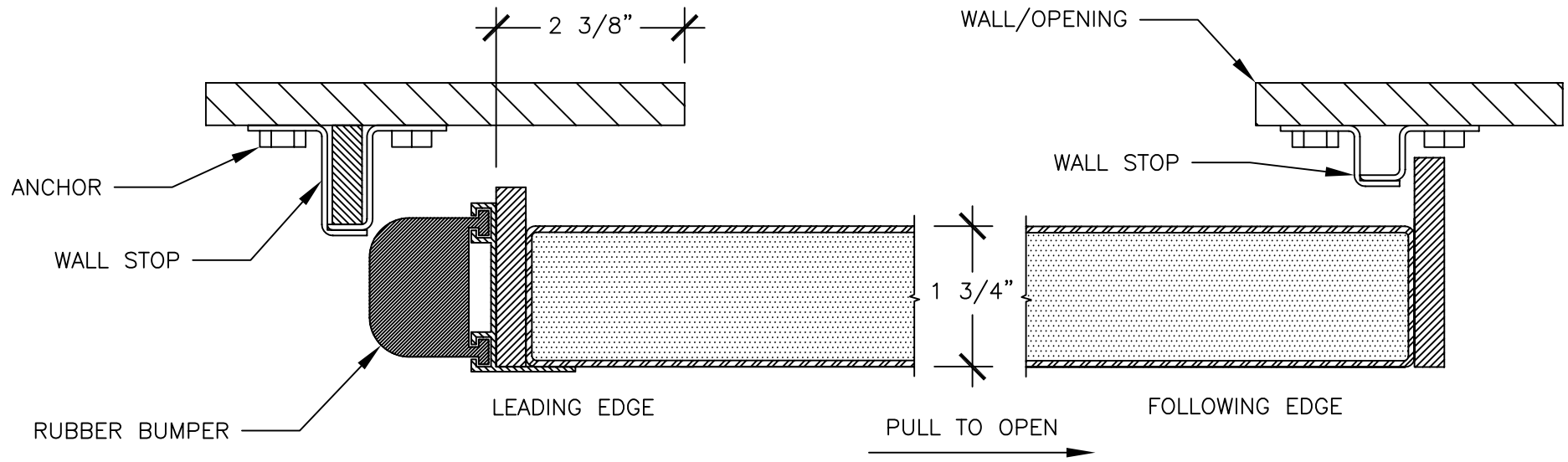
**ISOMETRIC VIEW**  
NOT TO SCALE

**ELEVATION**  
3/8" = 1'-0"  
SLIDE RIGHT TO OPEN SHOWN



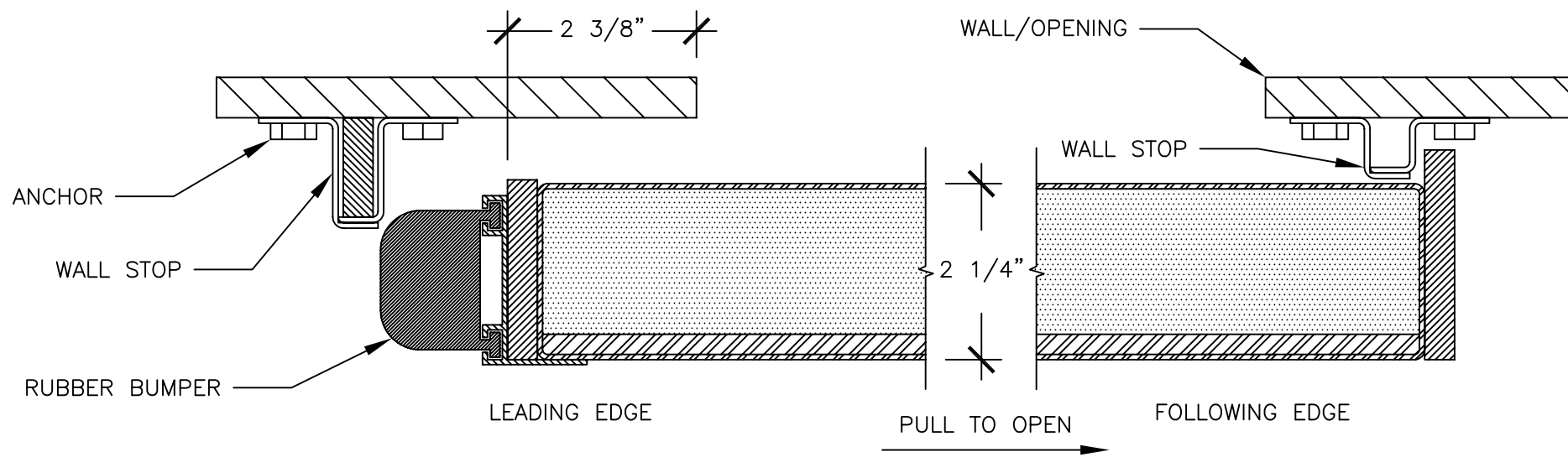
DRAWING TITLE:  
**BULLET RESISTANT STEEL DOOR TO UL 752 LEVEL 1 - 8 - NON FIRE RATED**  
**ELEVATION**

DATE:	03/19/2021
DRAWN BY:	ASC
REVISION:	1



**DETAIL "A" - LEVEL 1 - 3 DOOR SHOWN**

6" = 1'-0"



**DETAIL "A" - LEVEL 4 - 8 DOOR SHOWN**

6" = 1'-0"



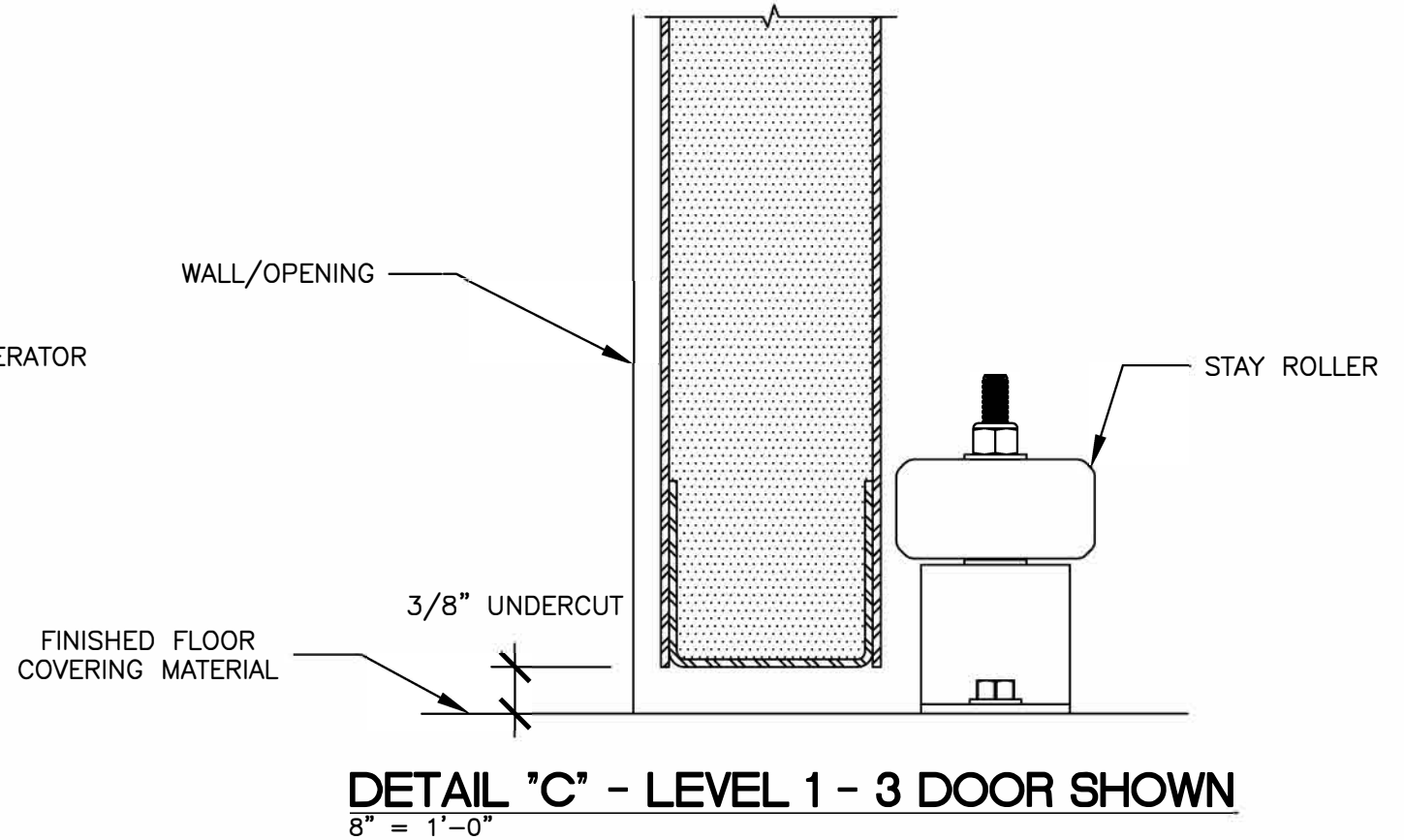
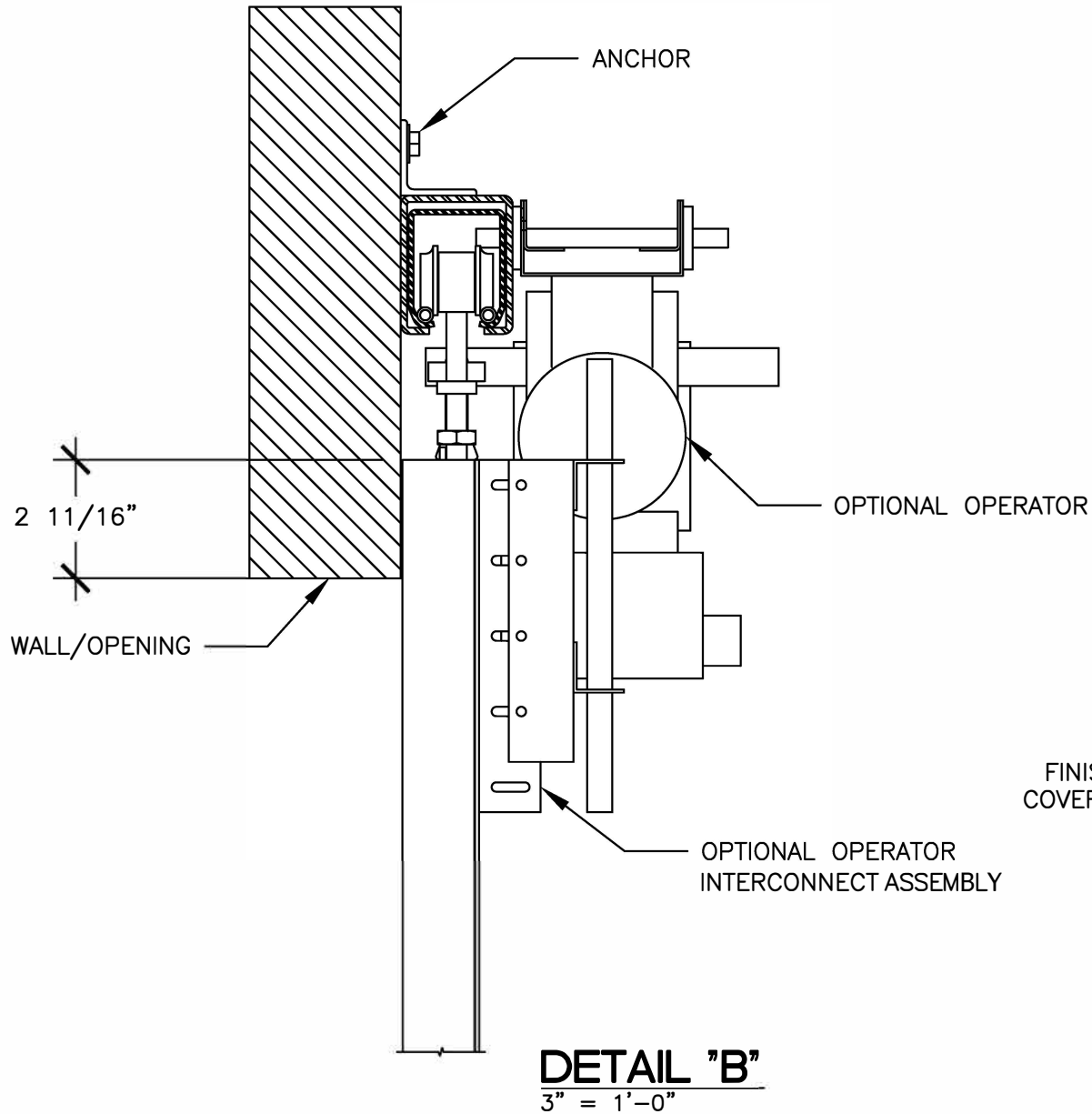
DRAWING TITLE:

**BULLET RESISTANT STEEL DOOR TO UL 752 LEVEL 1 - 8 - NON FIRE RATED  
HORIZONTAL SECTIONS**

DATE: 03/19/2021

DRAWN BY: ASC

REVISION: 1



DRAWING TITLE:

**BULLET RESISTANT STEEL DOOR TO UL 752 LEVEL 1 - 8 - NON FIRE RATED  
TRACK AND HANGER DETAILS**

DATE: 03/19/2021

DRAWN BY: ASC

REVISION: 1