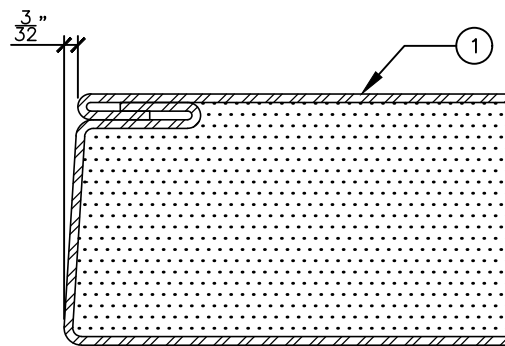


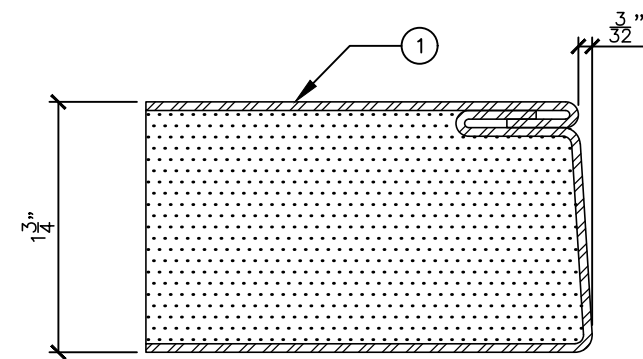
TOP DETAIL

3/4" = 1"



HINGE EDGE DETAIL

3/4" = 1"

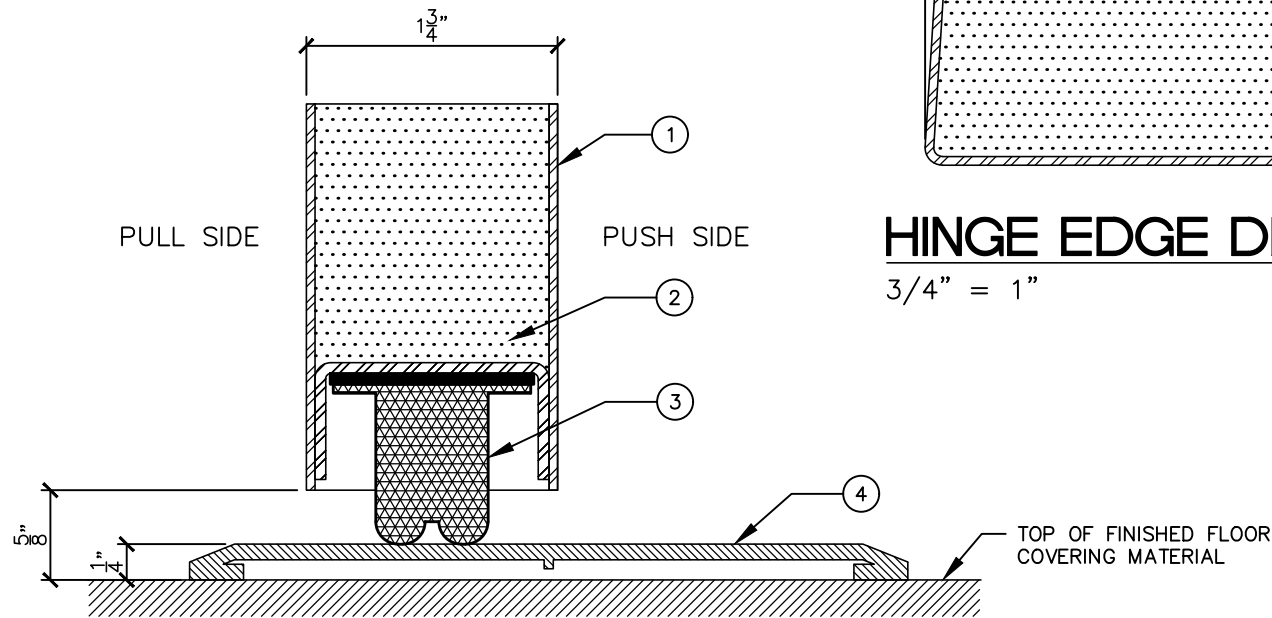


LATCH EDGE DETAIL

3/4" = 1"

LEGEND:

1. ACOUSTIC STEEL DOOR.
2. ACOUSTIC CORE.
3. MORTISED DROP DOOR BOTTOM SEAL.
4. 1/4" HIGH X 5" WIDE ACOUSTIC THRESHOLD TO BE INSTALLED AT TOP LEVEL OF FINISHED FLOOR COVERING MATERIAL.



DOOR BOTTOM DETAIL

3/4" = 1"



DRAWING TITLE:

ACOUSTIC STEEL DOOR AND DOOR BOTTOM
FROM STC 30 TO STC 38

DATE: 2022-09-19

DRAWN BY: GV

REVISION: 1