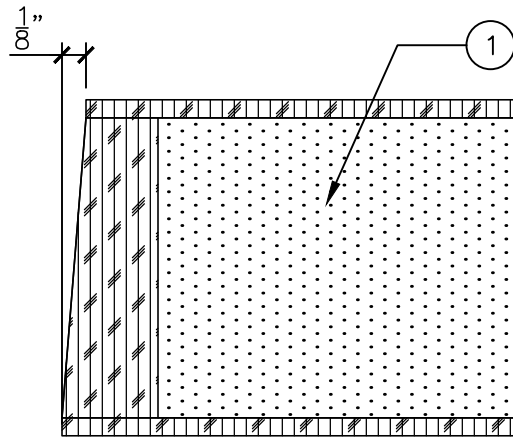
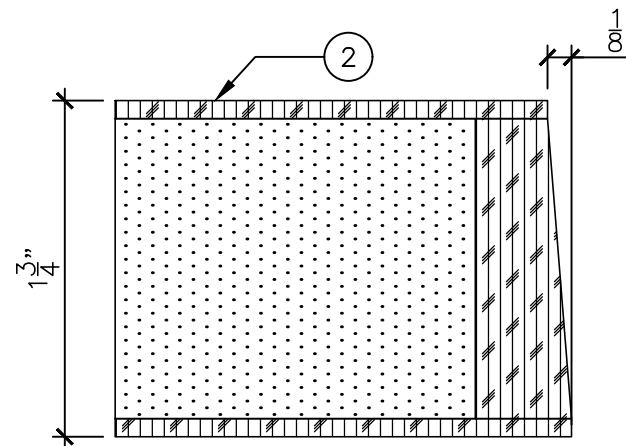


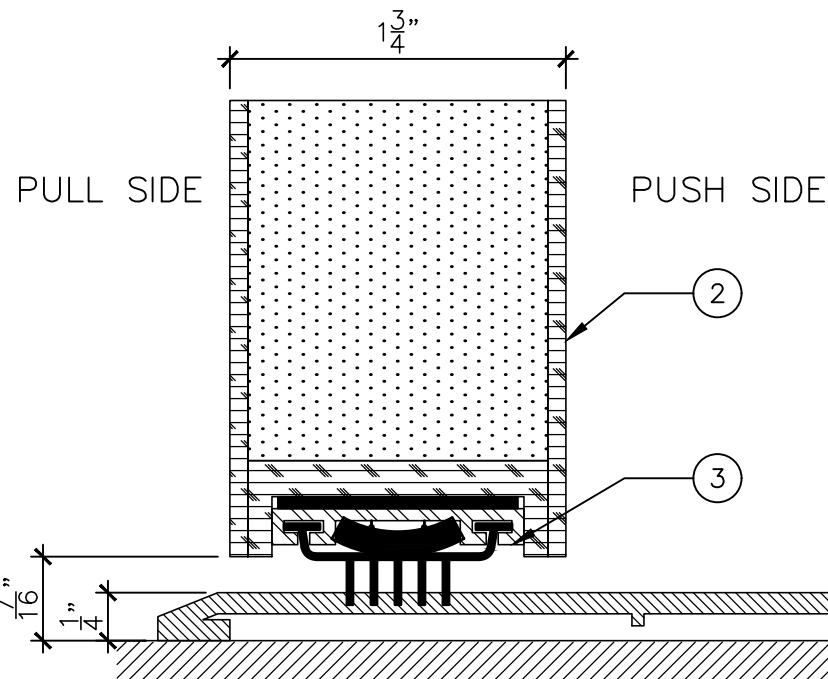
TOP DETAIL
1"-0" = 1"-0"



HINGE EDGE DETAIL
1"-0" = 1"-0"



LATCH EDGE DETAIL
1"-0" = 1"-0"



DOOR BOTTOM DETAIL
1"-0" = 1"-0"

LEGEND:

1. FIRE RATED ACOUSTIC CORE.
2. WOOD CLADDING/VENEER.
3. ACOUSTIC DOOR BOTTOM SEAL.
4. 1/4" HIGH X 5" WIDE ACOUSTIC THRESHOLD
INSTALLED AT TOP LEVEL OF FLOOR COVERING MATERIAL.
5. ACOUSTIC BUMPER SEAL INSTALLED AT TOP OF THRESHOLD.

NOTES:

- ALL DOORS INCLUDE FACTORY PRE-MACHINING FOR HARDWARE.
- ALL DOORS INCLUDE FACTORY SEALING OF EDGES.
- FACTORY PRE-FINISHING IS OPTIONAL.
- SPECIFIED FACTORY FINISH TO BE: ___



DRAWING TITLE:

WOOD CLAD ACOUSTIC DOOR - NON-FIRE RATED
STC 30 TO STC 40

DATE: 2022-09-23

DRAWN BY: GV

REVISION: 1