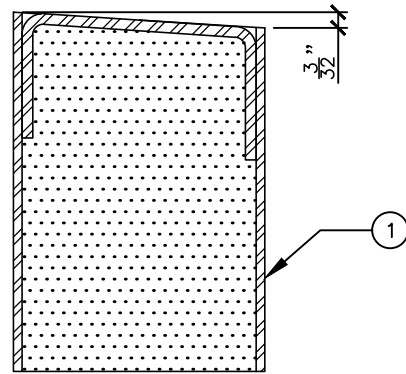


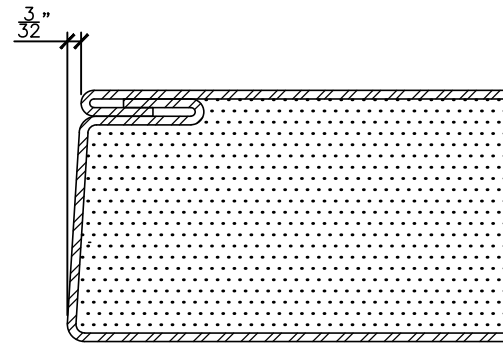
LEGEND:

1. ACOUSTIC STEEL DOOR.
2. ACOUSTIC CORE.
3. ACOUSTIC DOOR BOTTOM SEAL – SHIPPED LOOSE FOR INSTALLATION ON SITE BY DOOR INSTALLER.
4. 1/4" HIGH ACOUSTIC THRESHOLD X 5" WIDE TO BE INSTALLED AT TOP LEVEL OF FINISHED FLOOR COVERING MATERIAL.



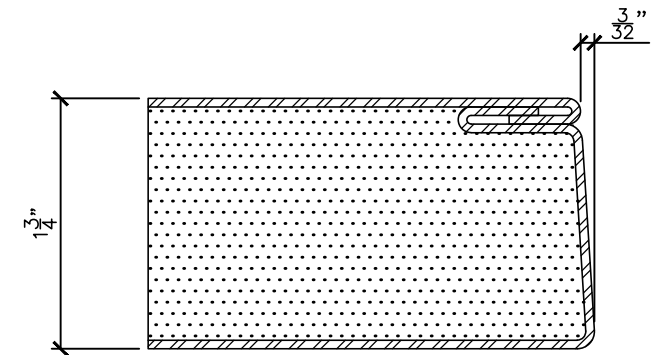
TOP DETAIL

3/4" = 1"



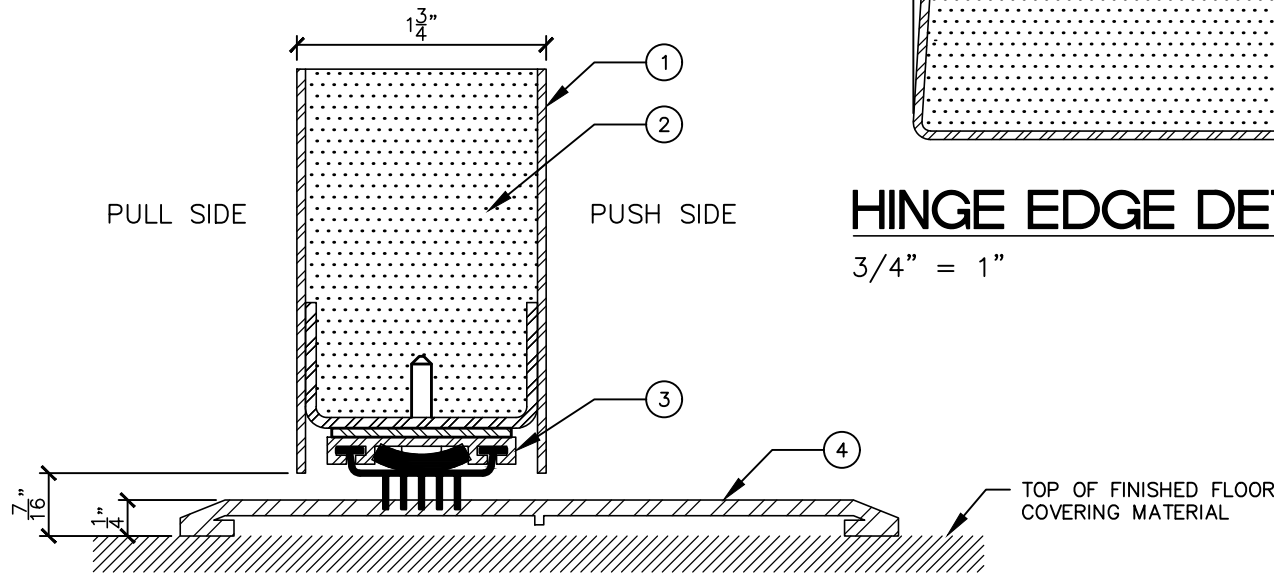
HINGE EDGE DETAIL

3/4" = 1"



LATCH EDGE DETAIL

3/4" = 1"



DOOR BOTTOM DETAIL

3/4" = 1"



DRAWING TITLE:

ACOUSTIC STEEL DOOR AND DOOR BOTTOM
FROM STC 39 TO STC 46

DATE: 2022-09-19

DRAWN BY: GV

REVISION: 1