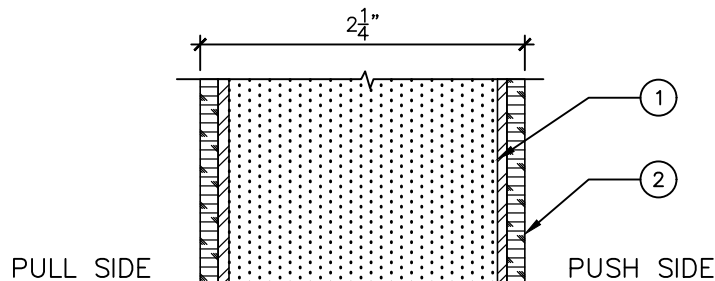


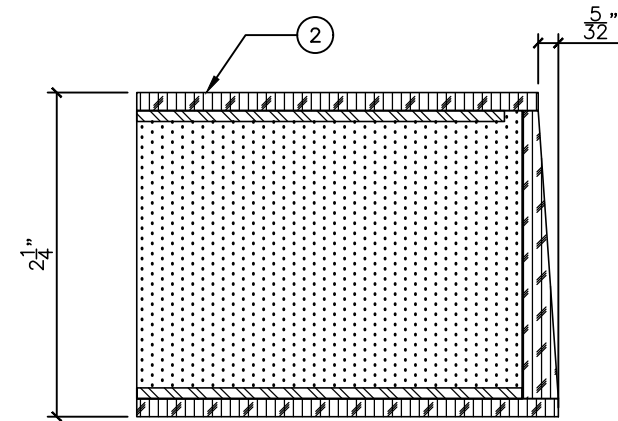
TOP DETAIL

3/4" = 1"-0"



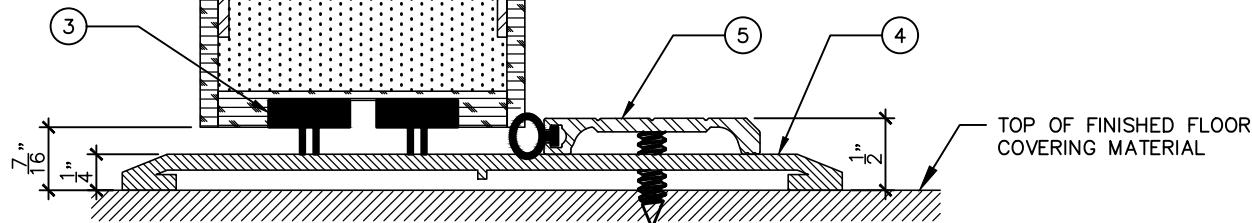
HINGE EDGE DETAIL

3/4" = 1"-0"



LATCH EDGE DETAIL

3/4" = 1"-0"



DOOR BOTTOM DETAIL

3/4" = 1"-0"

LEGEND:

1. ACOUSTIC FIRE RATED STEEL CORE.
2. CLADDING / VENEER AS INDICATED ON DOOR SCHEDULE.
3. BOTTOM SWEEP SEAL & TOP INTUMESCENT STRIP.
4. 1/4" HIGH X 5" WIDE ACOUSTIC THRESHOLD INSTALLED AT TOP LEVEL OF FLOOR COVERING MATERIAL.
5. ACOUSTIC BUMPER SEAL INSTALLED AT TOP OF THRESHOLD.

NOTES:

- ALL DOORS INCLUDE FACTORY PRE-MACHINING FOR HARDWARE.
- ALL DOORS INCLUDE FACTORY SEALING OF EDGES.
- ADDITIONAL TOP HINGE OVER THAT SPECIFIED BY NFPA80 IS REQUIRED FOR DOORS GREATER THAN 3'-6" WIDE OR 7'-6" TALL.
- MAXIMUM 45 MINUTE FIRE RATING ALLOWED FOR DOORS OVER 3'-6" WIDE, 7'-6" TALL OR PAIRS WITH ASTRAGAL
- CVR/CVC TOP LATCH AND STRIKE LOCATIONS DO NOT FOLLOW HARDWARE MANUFACTURER'S TEMPLATE AND INSTALLATION INSTRUCTIONS. CONSULT AMBICO FOR STRIKE LOCATION.



DRAWING TITLE:

**WOOD CLAD ACOUSTIC DOOR - FIRE RATED
STC 41 TO STC 52**

DATE: 2022-09-19

DRAWN BY: GV

REVISION: 1