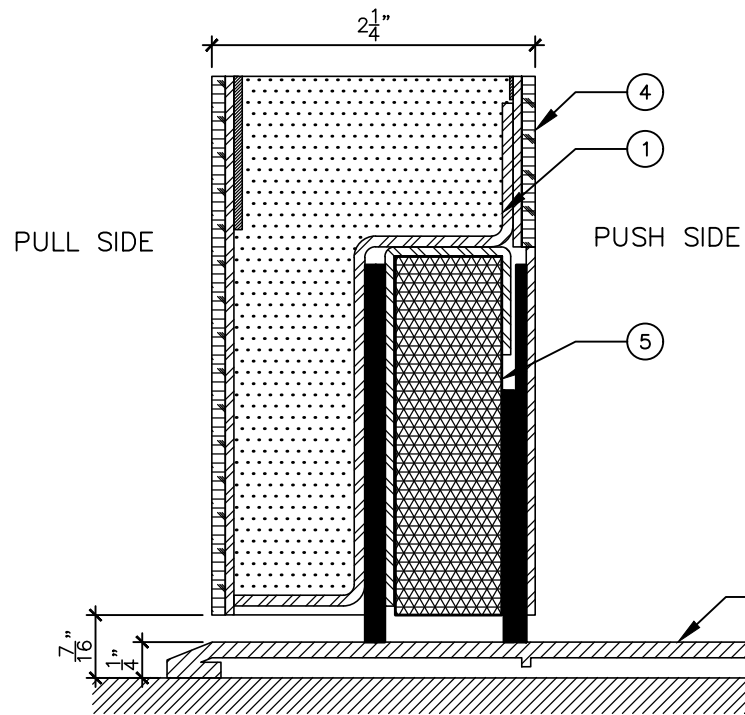


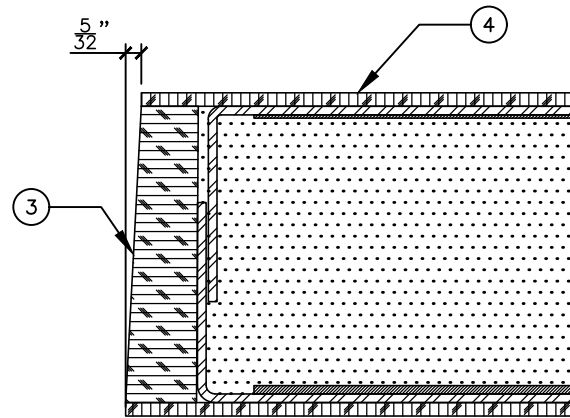
TOP DETAIL

3/4" = 1"



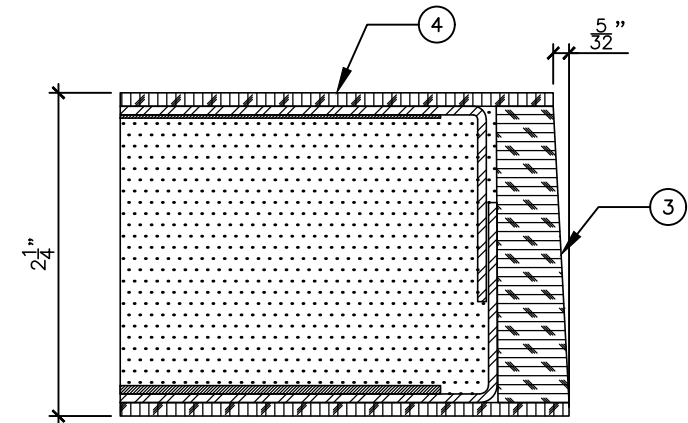
DOOR BOTTOM DETAIL

3/4" = 1"



HINGE EDGE DETAIL

3/4" = 1"



LATCH EDGE DETAIL

3/4" = 1"

LEGEND:

1. ACOUSTIC STEEL CORE.
2. HARDWOOD RAILS.
3. MATCHING HARDWOOD STILES.
4. CLADDING / VENEER.
5. ACOUSTIC DOOR BOTTOM SEAL.
6. 1/4" HIGH X 5" WIDE ACOUSTIC THRESHOLD INSTALLED AT TOP LEVEL OF FLOOR COVERING MATERIAL.

NOTES:

- ALL DOORS INCLUDE FACTORY PRE-MACHINING FOR HARDWARE.
- ALL DOORS INCLUDE FACTORY SEALING OF EDGES.
- FACTORY PRE-FINISHING IS OPTIONAL. SPECIFIED FACTORY FINISH TO BE: --



DRAWING TITLE:

**WOOD CLAD ACOUSTIC DOOR - NON FIRE RATED
FROM STC 51 TO STC 52**

DATE: 2022-09-19

DRAWN BY: GV

REVISION: 1