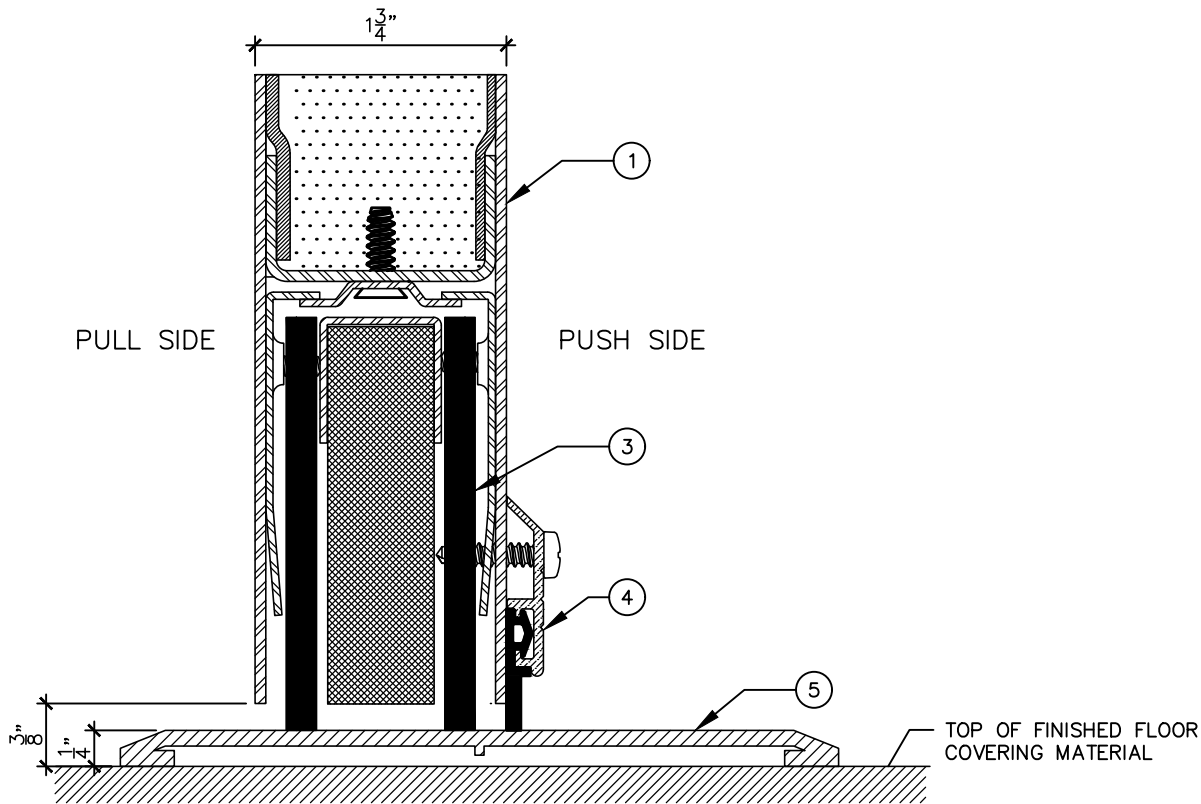


**TOP DETAIL**

3/4" = 1"

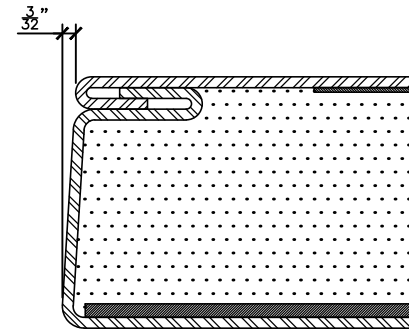


**DOOR BOTTOM DETAIL**

3/4" = 1"

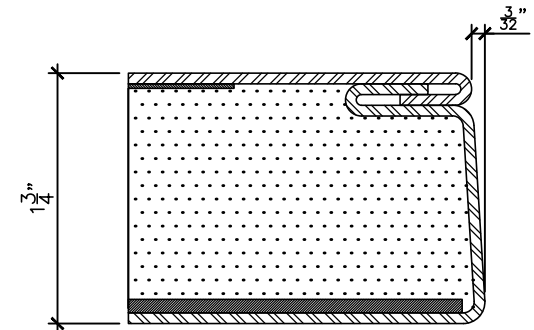
**LEGEND:**

1. ACOUSTIC STEEL DOOR
2. ACOUSTIC CORE.
3. FULLY MORTISED ACOUSTIC DOOR BOTTOM SEAL.
4. SURFACE MOUNTED SWEEP SEAL – SHIPPED LOOSE.
5. 1/4" HIGH ACOUSTIC THRESHOLD X 5" WIDE TO BE INSTALLED AT TOP LEVEL OF FINISHED FLOOR COVERING MATERIAL.



**HINGE EDGE DETAIL**

3/4" = 1"



**LATCH EDGE DETAIL**

3/4" = 1"

**NOTES:**

- TOP MUST BE SEAMLESS.
- EDGES MUST BE SEAMLESS OR FULLY WELDED
- DOORS TO BE PREPARED FOR CAMLIFT HINGES. HINGES SUPPLIED LOOSE BY AMBICO..



DRAWING TITLE:

ACOUSTIC STEEL DOOR AND DOOR BOTTOM  
STC53

DATE: 2022-09-23

DRAWN BY: GV

REVISION: 1