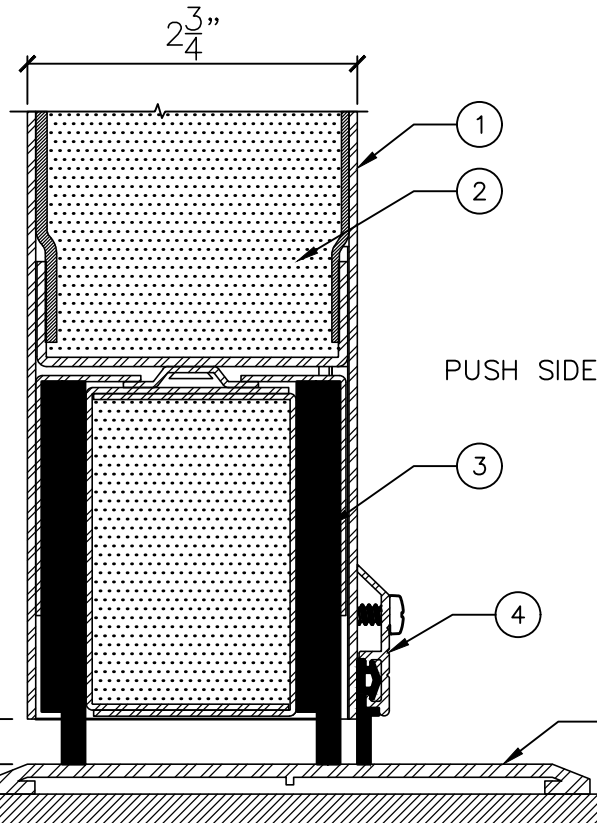


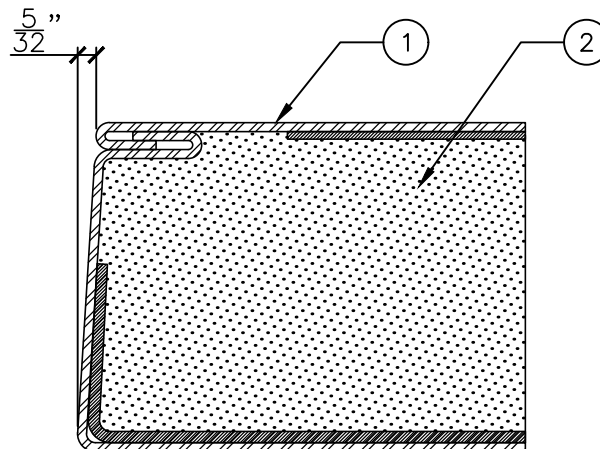
TOP DETAIL

5/8" = 1"



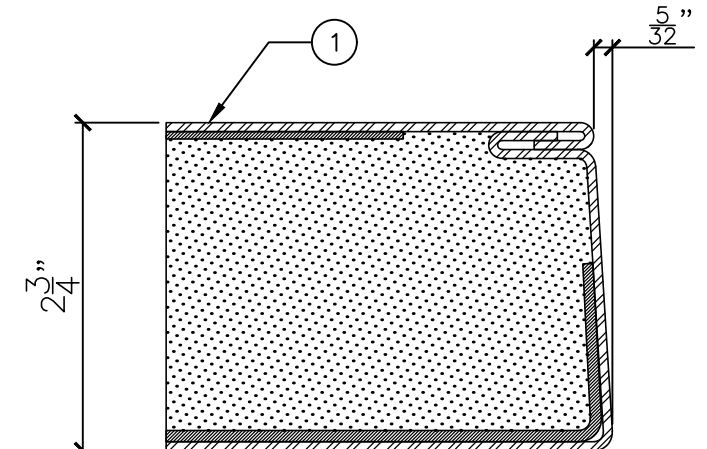
DOOR BOTTOM DETAIL

5/8" = 1"



HINGE EDGE DETAIL

5/8" = 1"



LATCH EDGE DETAIL

5/8" = 1"

LEGEND:

1. ACOUSTIC STEEL DOOR
2. ACOUSTIC CORE.
3. MORTISED FIXED DOOR BOTTOM SEAL.
4. SURFACE MOUNTED SWEEP SEAL.
5. 1/4" HIGH ACOUSTIC THRESHOLD X 5" WIDE TO BE INSTALLED AT TOP LEVEL OF FINISHED FLOOR COVERING MATERIAL.

NOTES:

- TOP MUST BE SEAMLESS.
- EDGES MUST BE SEAMLESS OR FULLY WELDED.



DRAWING TITLE:

ACOUSTIC STEEL DOOR AND DOOR BOTTOM
STC 54 TO STC 55 PAIRS AND STC 54 TO STC 56 SINGLES

DATE: 2022-09-19

DRAWN BY: GV

REVISION: 1