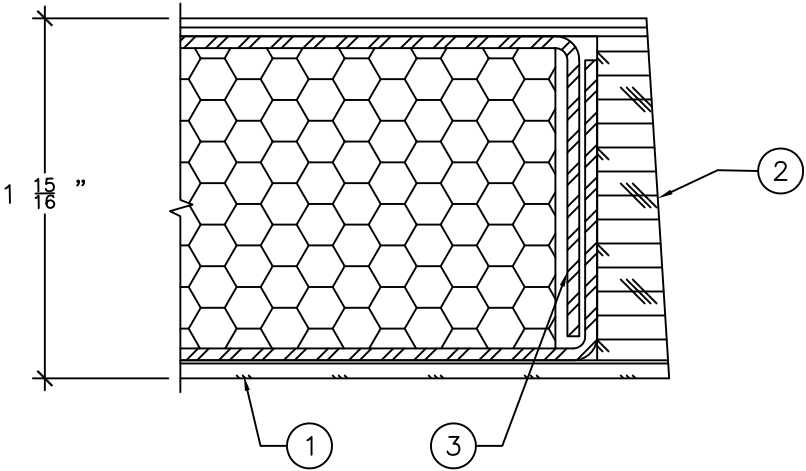


LEGEND:

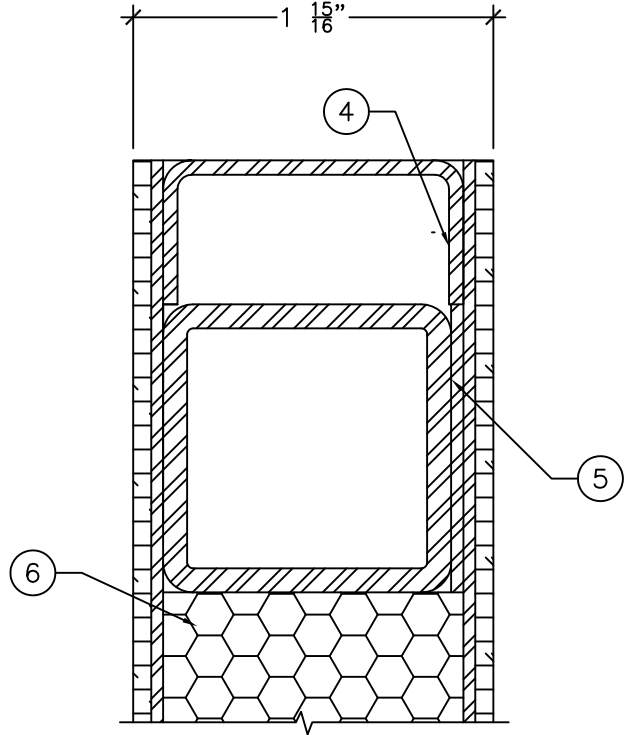
- 1. WOOD VENEER.
- 2. HARDWOOD STILES TO MATCH VENEER
- 3. STEEL DOOR CORE.
- 4. STEEL TOP AND BOTTOM CHANNELS.
- 5. STEEL TUBE REINFORCEMENT
- 6. HONEYCOMB CORE



**ELEVATION**  
3/4" = 1'-0"



**SECTION "A"**  
1'-0" = 1'-0"



**SECTION "B"**  
1'-0" = 1'-0"



DRAWING TITLE:  
**TORNADO RESISTANT WOOD DOOR TO ICC500 (2014)**

DATE: 4/14/2020  
DRAWN BY: ASC  
REVISION: 1