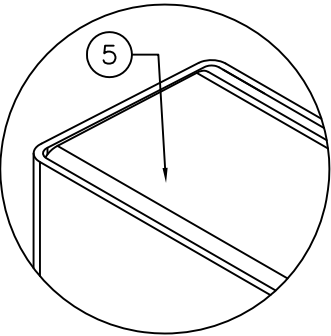
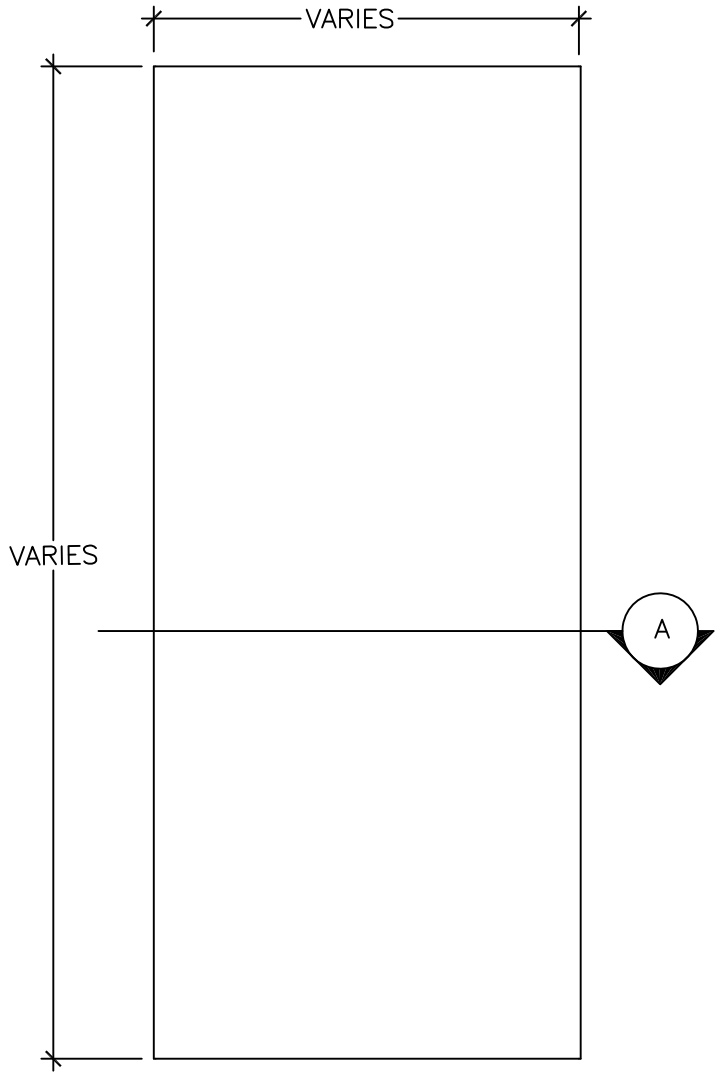


LEGEND:

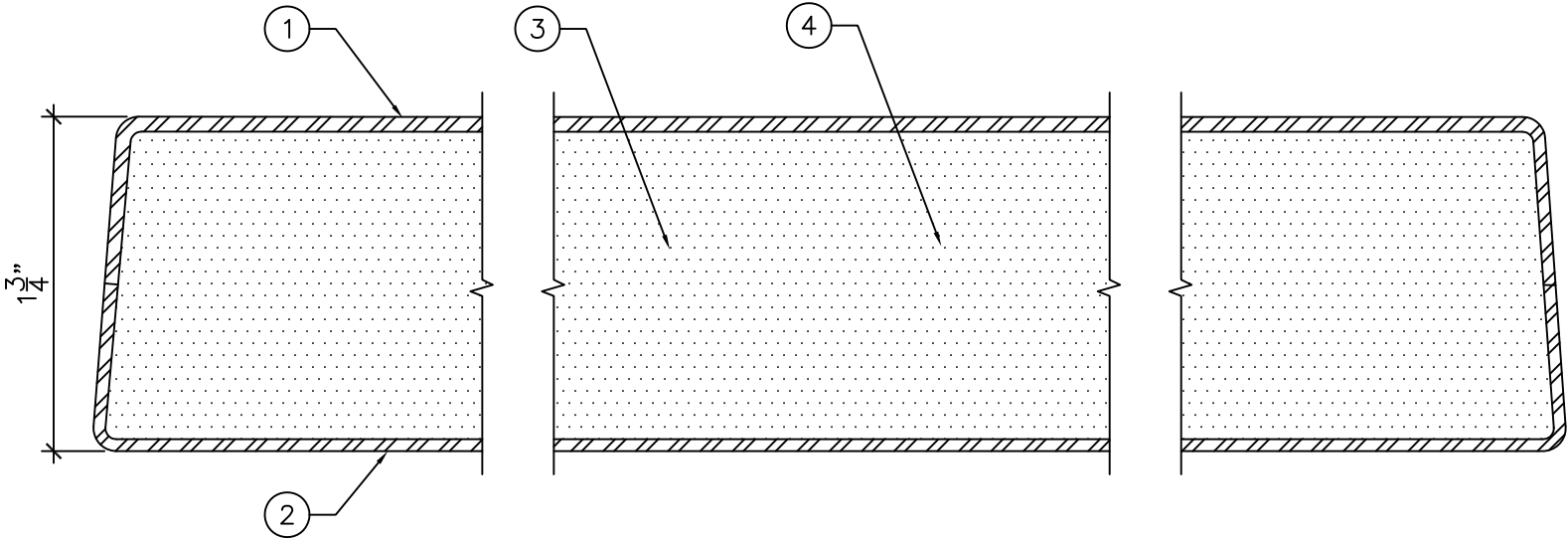
- 1. BACK SKIN.
- 2. FRONT SKIN.
- 3. ALL VOIDS FILLED WITH INSULATION.
- 4. BULLET RESISTANT INSULATED CORE.
- 5. FLUSH TOP AND BOTTOM END CHANNELS.



DETAIL "B"
 $1'-0" = 1'-0"$



ELEVATION
 $3/4" = 1'-0"$



SECTION "A"
 $1'-0" = 1'-0"$



DRAWING TITLE:
BULLET RESISTANT STEEL DOOR TO UL 752 LEVEL 1-3 FIRE AND NON-FIRE RATED

DATE:	2020/05/11
DRAWN BY:	ASC
REVISION:	1