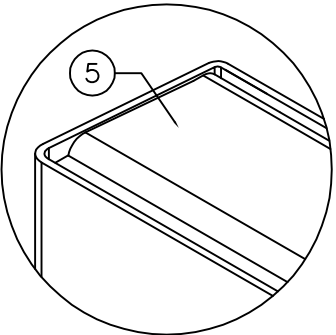
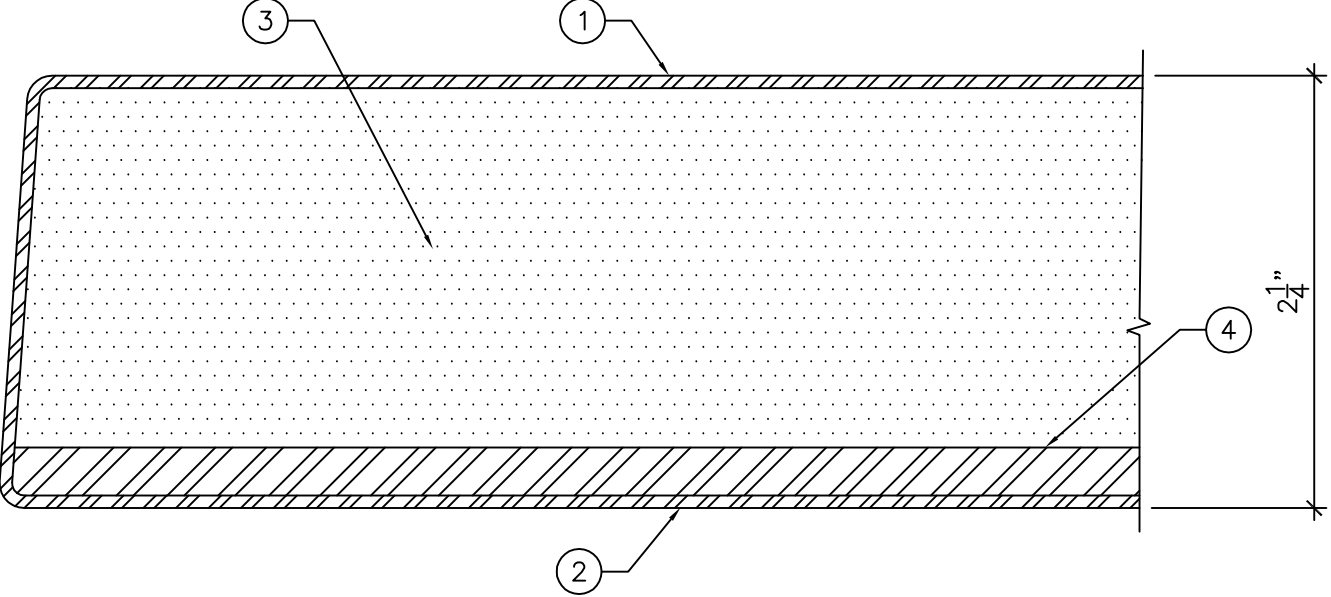


LEGEND:

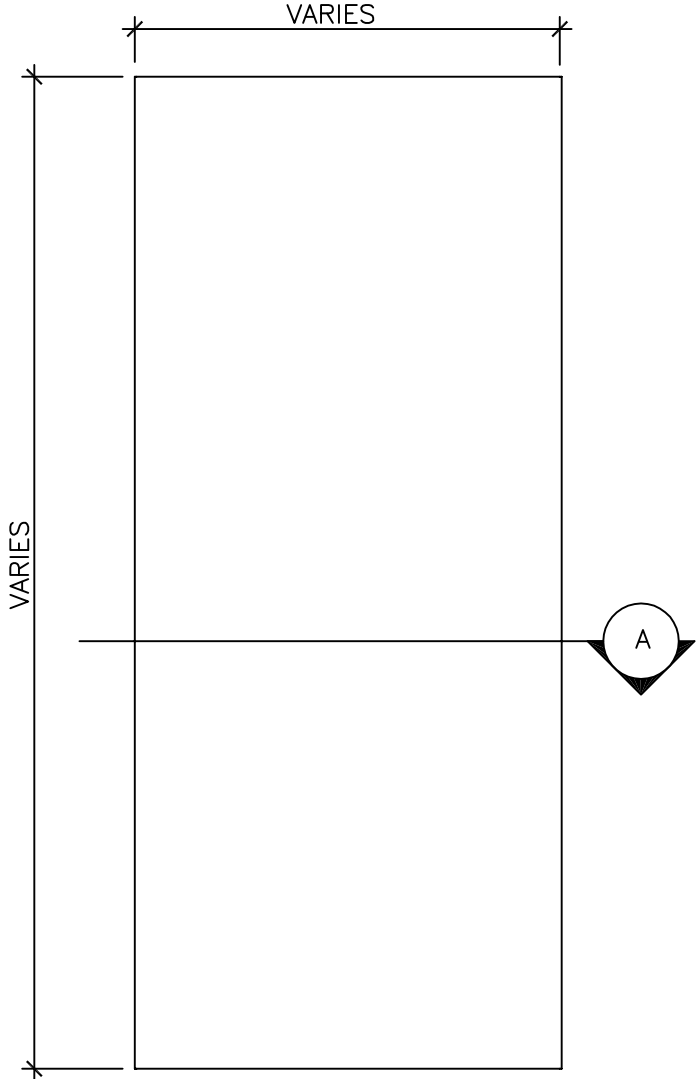
- 1. BACK SKIN.
- 2. FRONT SKIN.
- 3. ALL VOIDS FILLED WITH INSULATION.
- 4. STEEL PLATE TO UL752 LEVEL 4-8
- PLATE WILL BE ON FRONT OR BACK
DEPENDING ON SWING AND HARDWARE
- 5. FLUSH TOP AND BOTTOM END CHANNELS.



DETAIL "B"
6" = 1'-0"



SECTION "A"
1'-0" = 1'-0"



ELEVATION
3/4" = 1'-0"



DRAWING TITLE:
BULLET RESISTANT STEEL DOOR TO UL 752 LEVEL 4-8 - NON FIRE RATED

DATE:	2020/05/01
DRAWN BY:	ASC
REVISION:	1