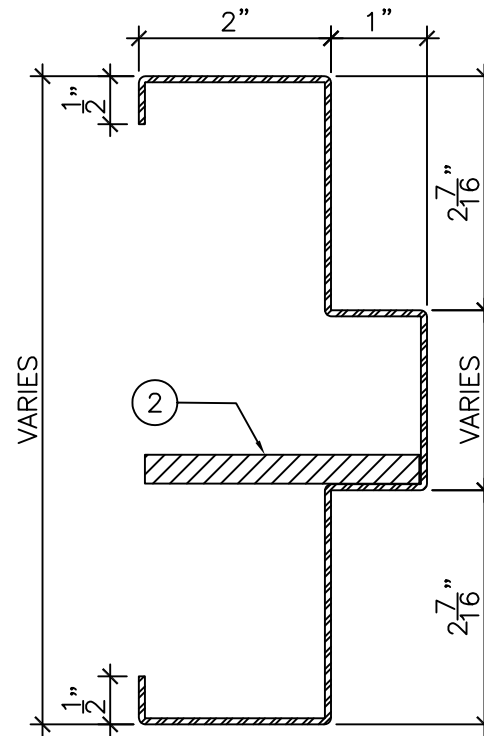


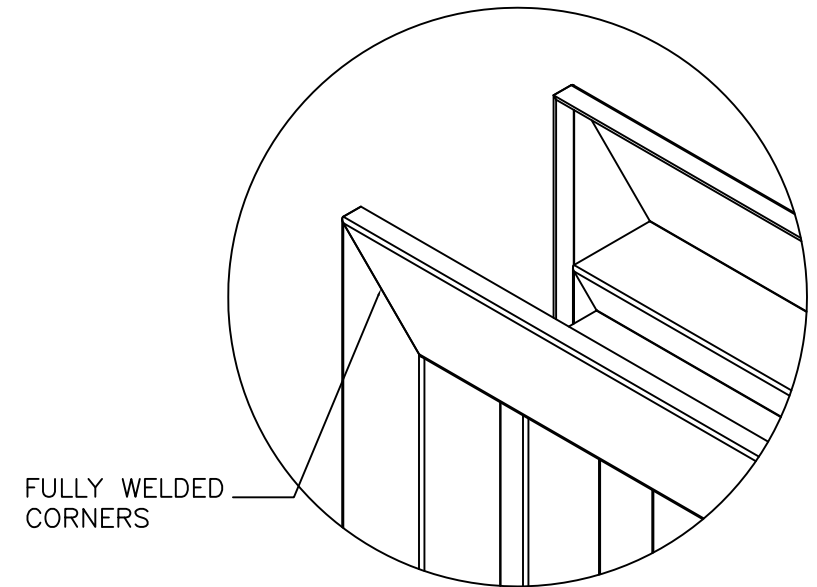
**ELEVATION**  
 $3/4" = 1'-0"$

LEGEND:

1. PRESSED STEEL FULLY WELDED BULLET RESISTANT FRAME.
2. STEEL PLATE TO UL752 LEVEL 4-8 PLATE.



**DETAIL "A"**  
 $6" = 1'-0"$



**DETAIL "B"**  
 $3" = 1'-0"$



DRAWING TITLE:

**BULLET RESISTANT STEEL FRAME FOR STEEL AND WOOD DOORS TO UL 752 LEVEL 4 - 8 - NON FIRE RATED**

DATE: 2020/05/20

DRAWN BY: ASC

REVISION: 3