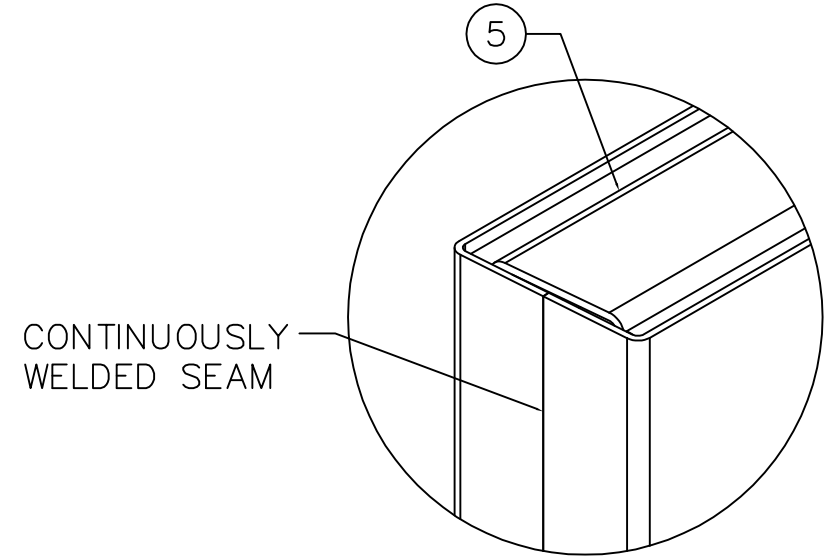
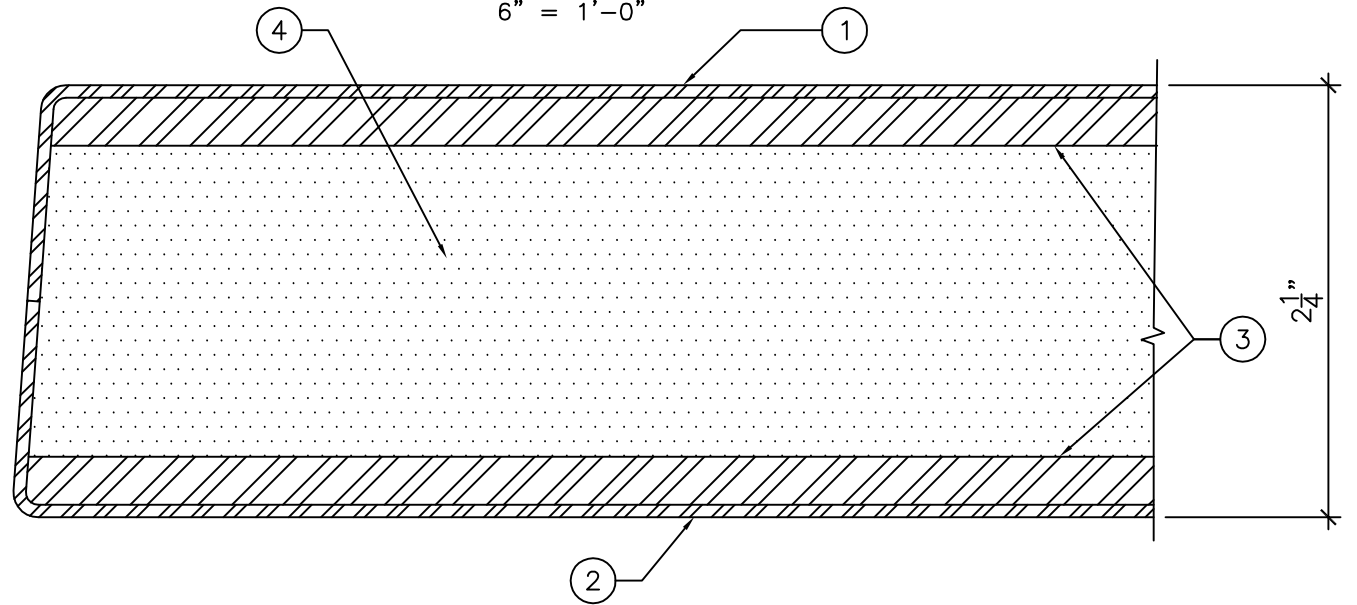


ELEVATION
 $\frac{3}{4}'' = 1'-0''$



DETAIL "B"

$6'' = 1'-0''$



SECTION "A"

$1'-0'' = 1'-0''$

LEGEND:

- 1. BACK SKIN.
- 2. FRONT SKIN.
- 3. STEEL PLATE TO UL752 LEVEL 9-10.
- 4. INSULATED CORE.
- 5. STANDARD FLUSH TOP AND BOTTOM END CHANNELS.

NOTE:

- DOOR PREPPED FOR SURFACE HINGES SUPPLIED LOOSE BY AMBICO



DRAWING TITLE:
BULLET RESISTANT STEEL DOOR TO UL 752 LEVEL 9-10 - NON FIRE RATED

DATE:	2020/05/01
DRAWN BY:	ASC
REVISION:	2