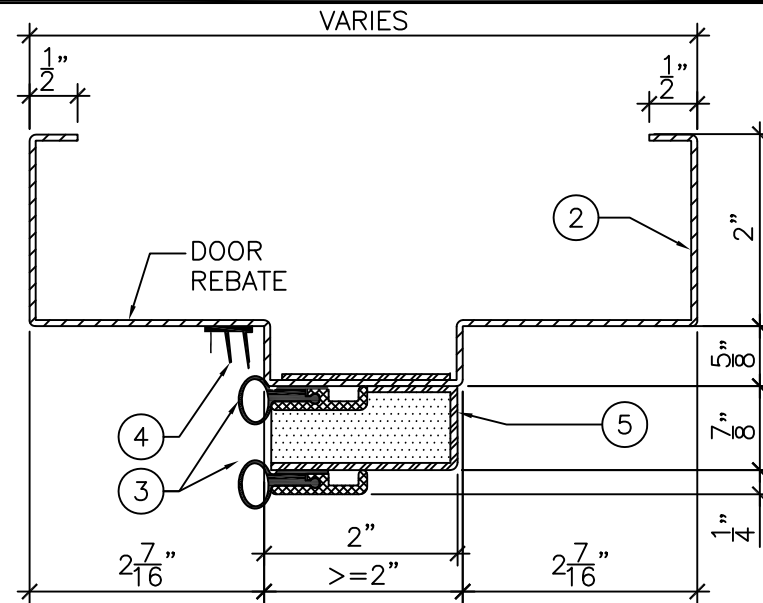
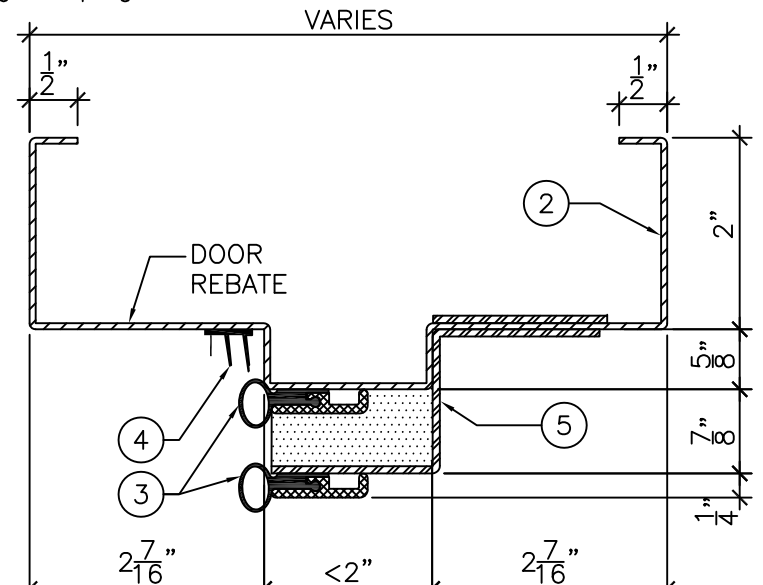


ELEVATION
 $\frac{3}{4}'' = 1'-0''$



DETAIL "A" - 2" SOFFIT OR MORE
 $\frac{6}{6}'' = 1'-0''$



DETAIL "A" - LESS THAN 2" SOFFIT
 $\frac{6}{6}'' = 1'-0''$

LEGEND:

1. 1/4" HIGH ACOUSTIC THRESHOLD.
2. PRESSED STEEL ACOUSTIC FRAME TO BE PREPARED FOR CAM-LIFT HINGES AND INSTALLED AT TOP LEVEL OF FINISHED FLOOR COVERING MATERIAL. (DO NOT EMBED IN FLOOR FINISHING).
3. ACOUSTIC PERIMETER BULB SEAL TO BE FITTED AND FASTENED TO FRAME BY INSTALLER ON SITE. ACOUSTIC SEALS DIMINISH THE FRAME CLEAR OPENING SIZE AS FOLLOWS:
 - REBATE WIDTH LESS 3 1/2" (89mm)
 - REBATE HEIGHT LESS 1 3/4" (45mm).
4. ACOUSTIC PERIMETER FIN SEAL TO BE FITTED AND FASTENED TO FRAME BY INSTALLER ON SITE.
5. ACOUSTIC ABSORPTION CHAMBER.

NOTES:

- DOORS TO BE PREPARED FOR CAMLIFT HINGES. HINGES SUPPLIED LOOSE BY AMBICO.
- MINIMUM LOCK BACKSET REQUIRED OF 3 3/4".



DRAWING TITLE:

ACOUSTIC STEEL SINGLE FRAME AND PERIMETER SEALS FOR WOOD DOORS
STC 53 - NON-FIRE RATED

DATE: 2020/07/27

DRAWN BY: ASC

REVISION: 3