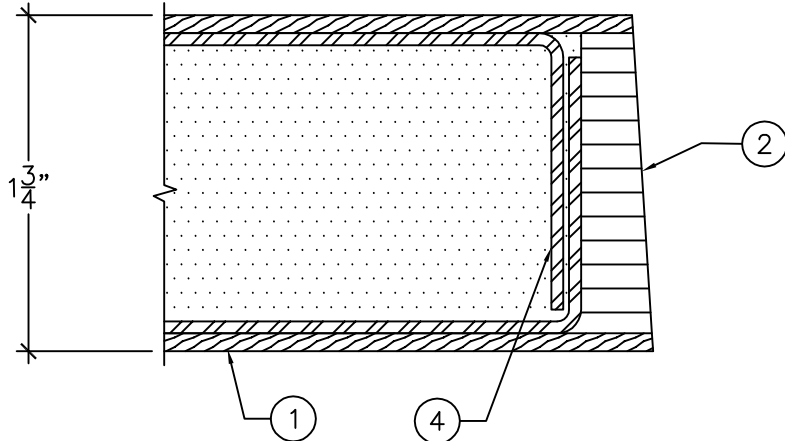


LEGEND:

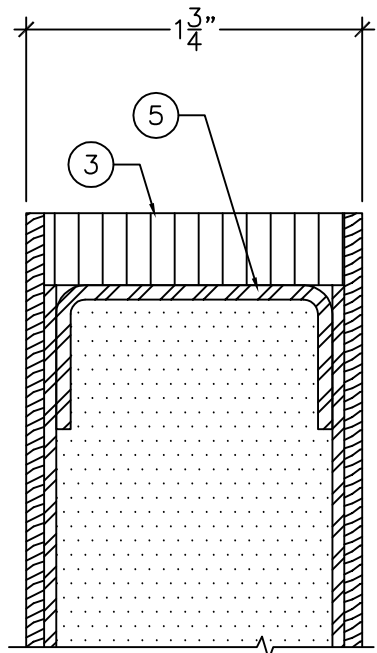
- 1. WOOD VENEER.
- 2. HARDWOOD STILES TO MATCH VENEER
- 3. HARDWOOD TOP RAIL
- 4. BULLET RESISTANT INSULATED CORE.
- 5. STEEL TOP AND BOTTOM CHANNELS.



ELEVATION
 $\frac{3}{4}'' = 1'-0''$



SECTION "A"
 $1'-0'' = 1'-0''$



SECTION "B"
 $1'-0'' = 1'-0''$



DRAWING TITLE:
BULLET RESISTANT WOOD DOOR TO UL752 LEVEL 1-3 - NON FIRE RATED

DATE:	2020/05/04
DRAWN BY:	ASC
REVISION:	1