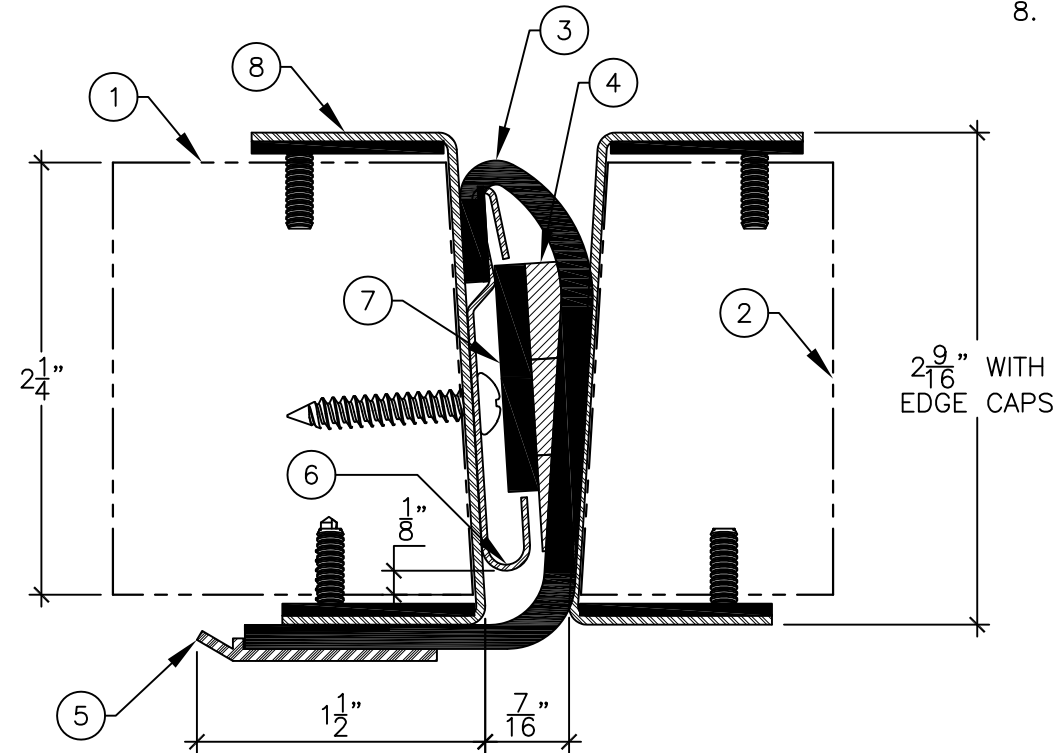


LEGEND:

1. "INACTIVE" DOOR LEAF.
2. "ACTIVE" DOOR LEAF.
3. ACOUSTIC FOAM-BACKED RUBBER SEAL.
4. OPEN-CELL FOAM
5. SEAL RETAINING BRACKET (ALUMINUM).
6. SEAL MOUNTING BRACKET (STEEL).
7. INTUMESCENT.
8. STEEL EDGE CAPS AT MEETING EDGE (PRE-INSTALLED).



ASTRAGAL SECTION
1'-0" = 1'-0"



DRAWING TITLE:

**ASTRAGAL FOR 2.25" THICK BOTH ACTIVE PAIR OF WOOD DOORS - FIRE RATED
STC 41 TO STC 50**

DATE: 2020/08/17

DRAWN BY: ASC

REVISION: 1