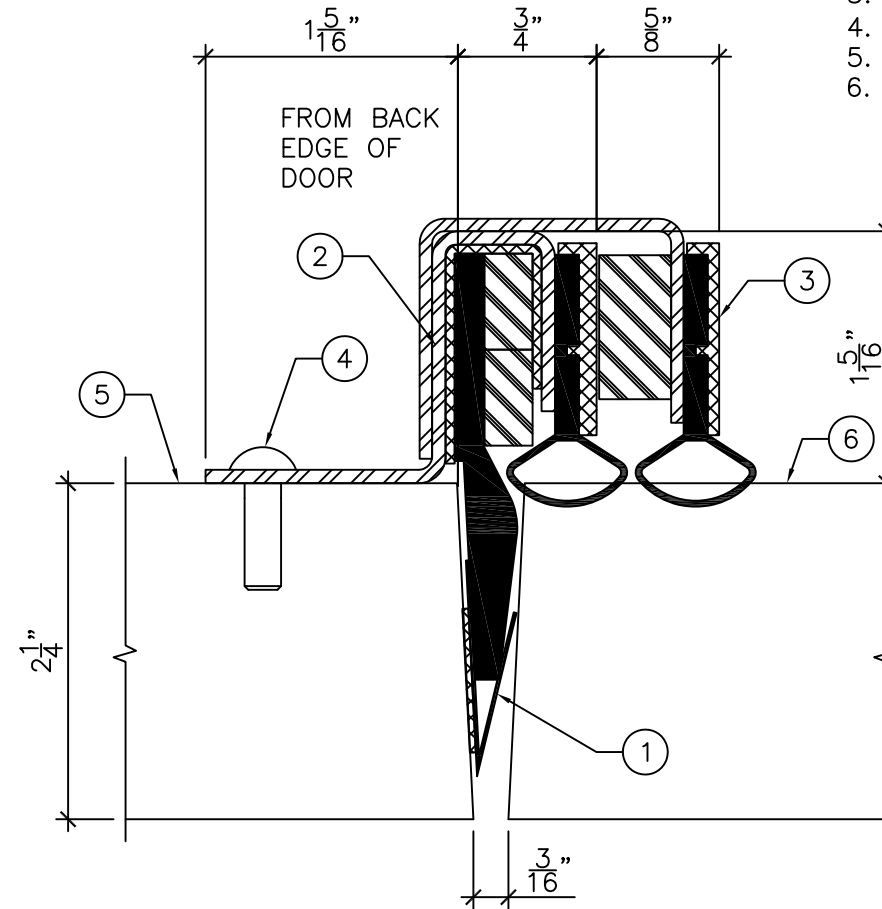


LEGEND:

1. BRONZE ACOUSTIC SEAL. MOUNT ON INSIDE EDGE OF INACTIVE LEAF.
2. 14GA ACOUSTIC ASTRAGAL FASTENED TO THE PUSH SIDE OF THE INACTIVE DOOR LEAF.
3. ACOUSTIC RUBBER SEAL.
4. #10 PAN HEAD SCREWS.
5. INACTIVE DOOR LEAF.
6. ACTIVE DOOR LEAF.



**ASTRAGAL SECTION**

1'-0" = 1'-0"



DRAWING TITLE:

**ASTRAGAL FOR SINGLE ACTIVE PAIR OF WOOD DOORS - NON-FIRE RATED  
STC 53**

DATE: 2020/08/17

DRAWN BY: ASC

REVISION: 1