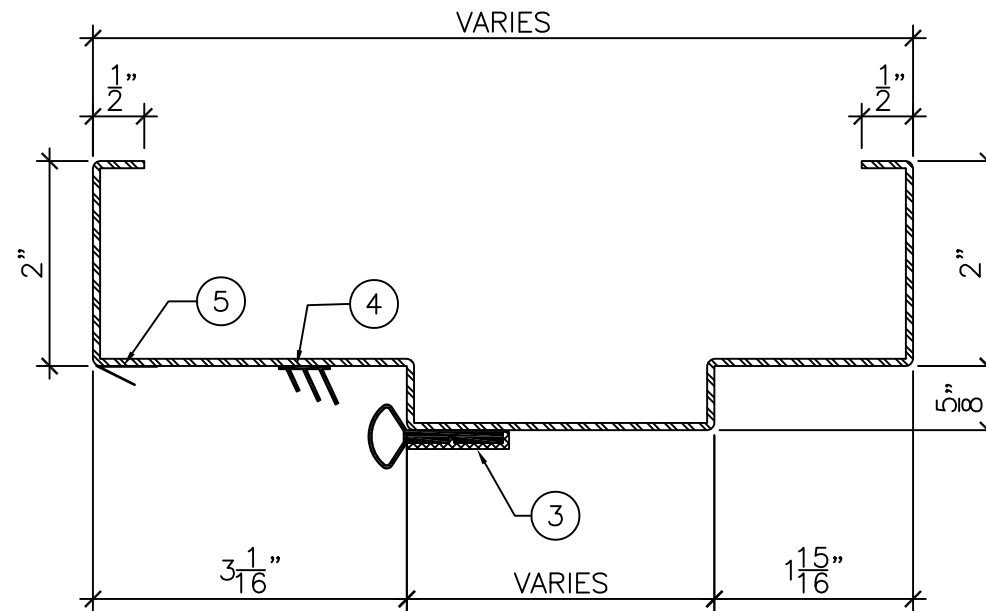


ELEVATION

3/4" = 1'-0"

LEGEND:

1. 1/4" HIGH ACOUSTIC THRESHOLD.
2. PRESSED STEEL ACOUSTIC FRAME TO BE INSTALLED AT TOP LEVEL OF FINISHED FLOOR COVERING MATERIAL. (DO NOT EMBED IN FLOOR FINISHING).
3. ACOUSTIC PERIMETER BULB SEAL TO BE FITTED AND FASTENED TO FRAME BY INSTALLER ON SITE.
4. ACOUSTIC PERIMETER FIN SEAL TO BE FITTED AND FASTENED TO FRAME BY INSTALLER ON SITE.
5. ACOUSTIC BRONZE SEAL.



DETAIL "A"

6" = 1'-0"



DRAWING TITLE:

**ACOUSTIC STEEL SINGLE FRAME AND PERIMETER SEALS FOR WOOD DOORS
STC 54 TO STC 55**

DATE: 2020/08/19

DRAWN BY: B. NEIL

REVISION: 1