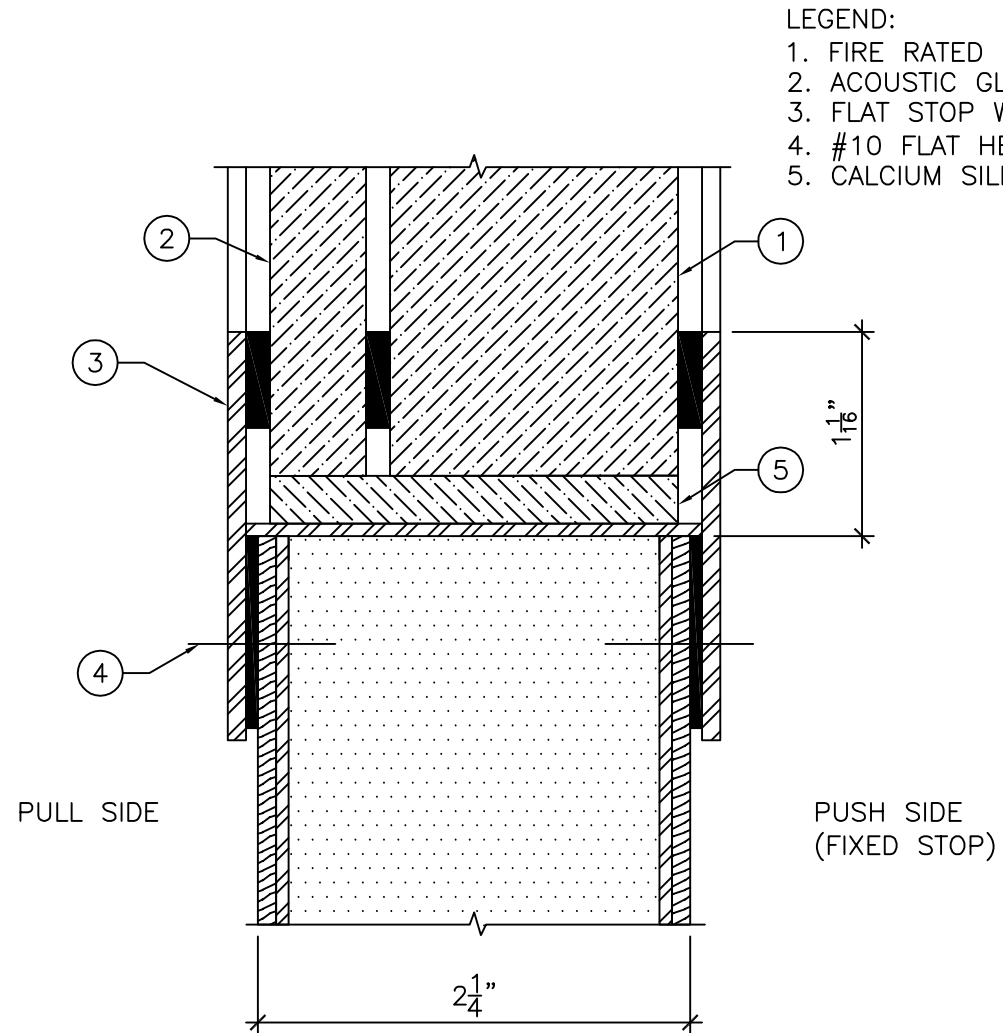


ELEVATION

3/4" = 1'-0"

VISION LITE DIMENSIONS SHOWN
REFER TO CUTOUT SIZE



SECTION "A"

1'-0" = 1'-0"

FOR STC 52 RATING MAX AREA
OF CUTOUT = 300 SQ.IN.

LEGEND:

1. FIRE RATED GLASS (THICKNESS MAY VARY).
2. ACOUSTIC GLASS.
3. FLAT STOP WITH WELDED CORNERS.
4. #10 FLAT HEAD SCREWS BOTH SIDES.
5. CALCIUM SILICATE SETTING BLOCK.

NOTES:

- MAX. 100 SQ. IN. VISIBLE GLASS @ 90 MINUTES.
- MINIMUM STILE AND RAIL 4-15/16" TO CUTOUT.



DRAWING TITLE:

WOOD DOOR LITE KIT - FIRE RATED - STC41-52

DATE: 2020/09/02

DRAWN BY: B. NEIL

REVISION: 1