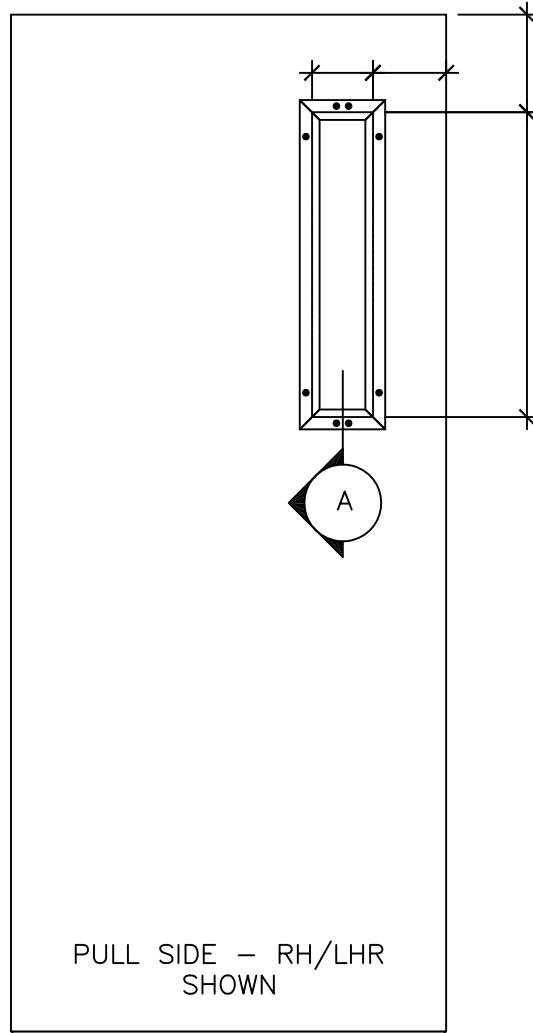


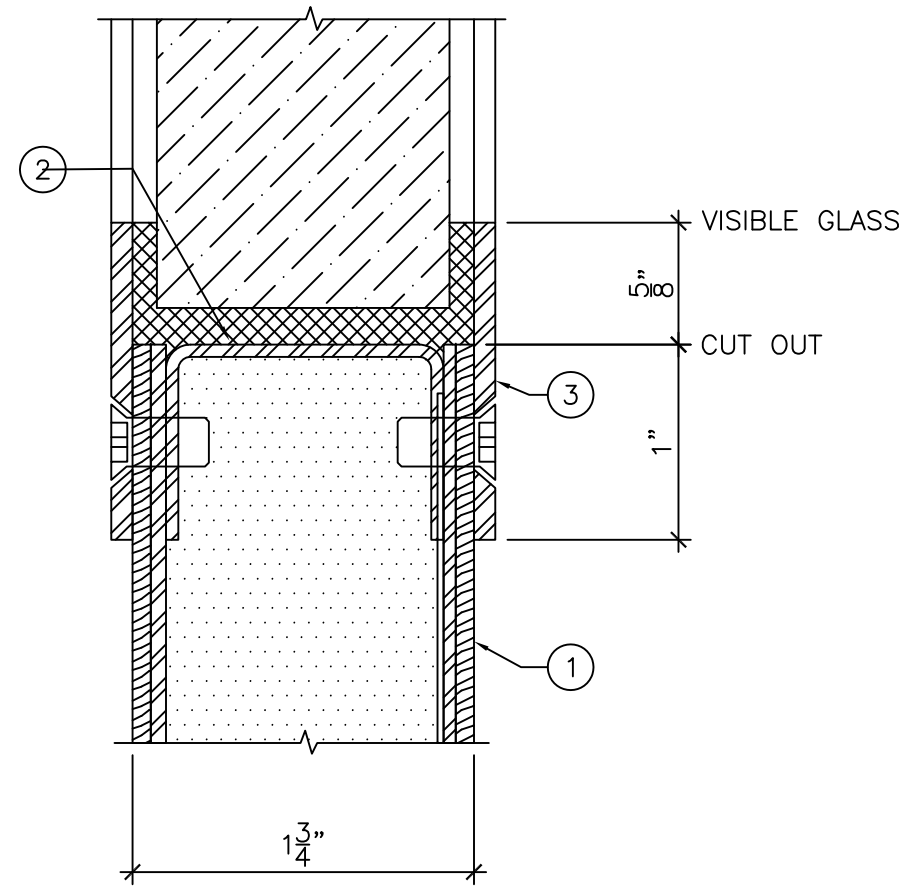
- LEGEND:
 1. ACOUSTIC WOOD DOOR.
 2. STEEL CHANNELS.
 3. PRIMED STEEL REMOVABLE STOPS.
 4. ACOUSTIC GLASS.



ELEVATION

3/4" = 1'-0"

VISION LITE DIMENSIONS SHOWN
REFER TO CUTOUT SIZE



SECTION "A"

1'-0" = 1'-0"

FOR STC 50 RATING MAX AREA
OF CUTOUT = 345 SQ.IN.



DRAWING TITLE:
WOOD DOOR LIGHT KIT
STC 49-50

DATE:	
DRAWN BY:	
REVISION:	0