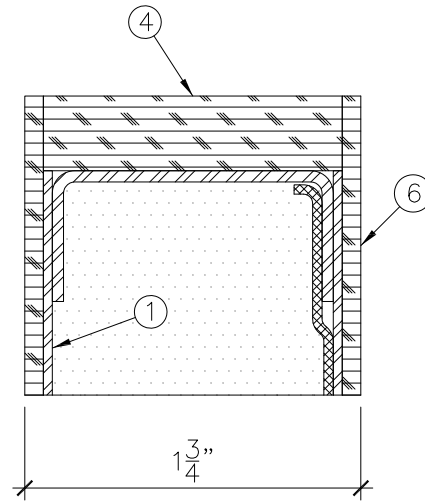
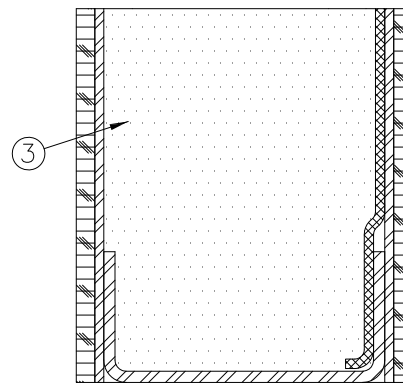


**ELEVATION**  
 $\frac{3}{4}'' = 1'-0''$



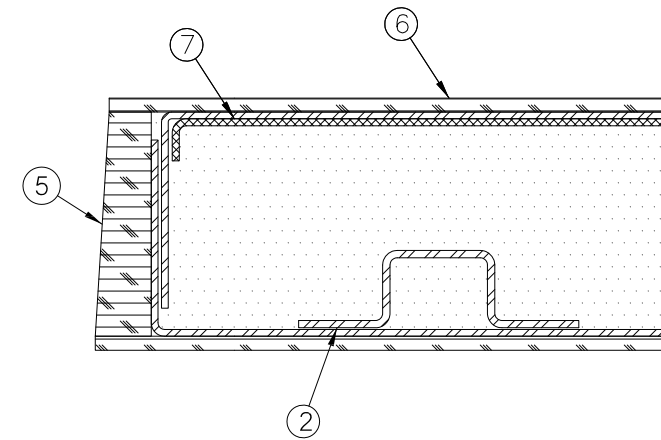
**SECTION "A"**  
 $1'-0'' = 1'-0''$



**SECTION "B"**  
 $1'-0'' = 1'-0''$

**LEGEND:**

1. WOOD DOOR WITH HOLLOW METAL CORE.
2. STEEL STIFFENED CORE.
3. FIBREGLASS INSULATION.
4. HARDWOOD TOP RAIL.
5. MATCHING HARDWOOD STILES.
6. VENEER AS INDICATED ON DOOR SCHEDULE.
7. LEAD LINING.



**SECTION "C"**  
 $1'-0'' = 1'-0''$



DRAWING TITLE:

**LEAD LINED WOOD DOOR**

DATE: 2020/11/13

DRAWN BY: ASC

REVISION: 0