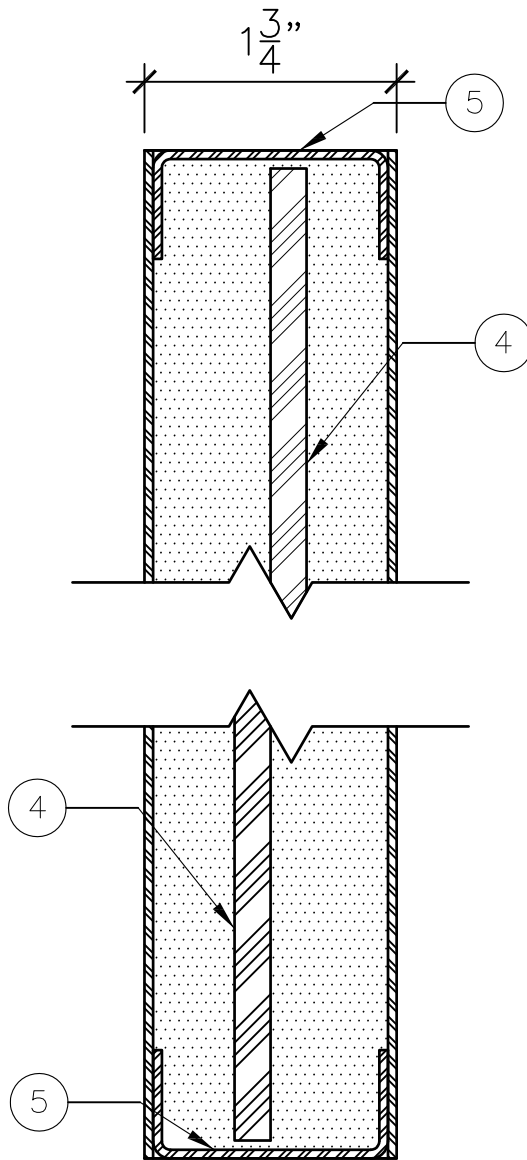


ELEVATION
3/4" = 1'-0"



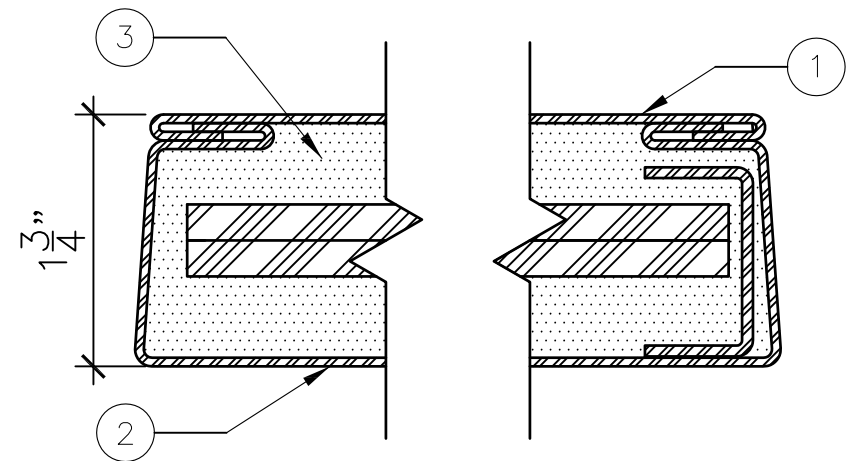
DETAIL "A"
9" = 1'-0"

LEGEND:

1. BACK SKIN.
2. FRONT SKIN.
3. ALL VOIDS FILLED WITH CERAMIC INSULATION.
4. OFFSET BULLET RESISTANT STEEL PLATES.
5. FLUSH TOP AND BOTTOM END CHANNELS.

NOTE:

- LOCK SEAM EDGE SHOWN, CENTER SEAM OPTION AVAILABLE.



DETAIL "B"
9" = 1'-0"



DRAWING TITLE:
BULLET RESISTANT STEEL DOOR TO UL 752 LEVEL 4 AND 6 FIRE RATED

DATE: 2020/10/26
DRAWN BY: ASC
REVISION: 1