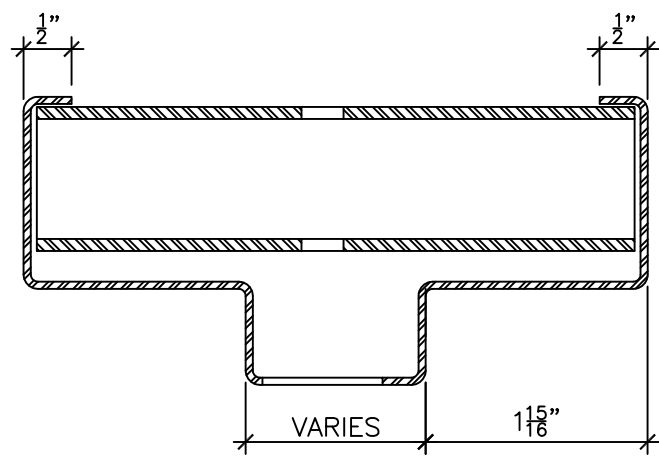


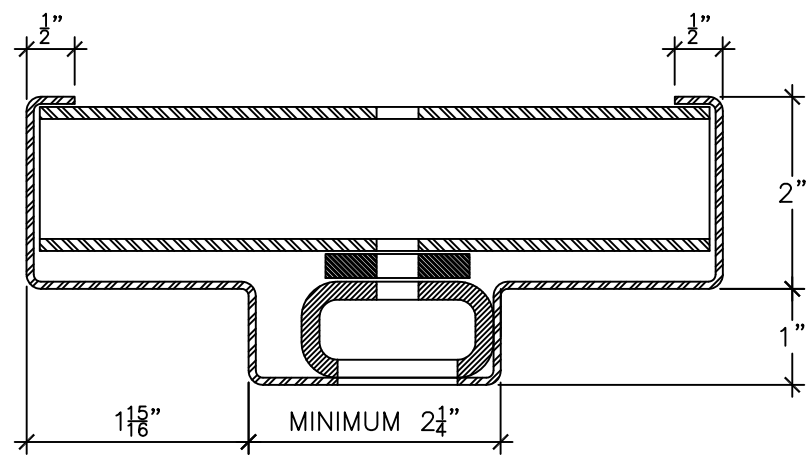
**ELEVATION**  
5/8" = 1'-0"

- APPLICATIONS:
- ANTI-TERRORISM
  - VERY LOW & LOW LEVELS OF PROTECTION
  - FOR MEDIUM OR HIGH LEVELS OF PROTECTION, PLEASE CONSULT AMBICO.

- STANDARDS AND ANALYSIS METHOD:
- UFC 4-010 - 01 - 2018 DOD MINIMUM ANTITERRORISM STANDARDS FOR BUILDINGS
  - FRAME DESIGN BASED ON SEMI-EMPIRICAL ANALYTICAL METHODOLOGY DEVELOPED USING ACTUAL TEST RESULTS.



**DETAIL "A"**  
6" = 1'-0"



**DETAIL "A"**  
6" = 1'-0"

FRAME DESIGN SUBJECT TO AMBICO REQUIREMENT

TYPICAL BENCHMARKS*				
CHARGE WEIGHT	MINIMUM STANDOFF (ft)			
	3' x 7' SINGLE	3'-6" x 7' SINGLE	4' x 8' SINGLE	6' x 7' ACTIVE/INACTIVE PAIR
CW1	70	85	65	80
CW2	36	40	30	34

- \*NOTE:
- BLAST RESISTANCE IS A FUNCTION OF MULTIPLE VARIABLES. PLEASE CONSULT AMBICO FOR DETERMINATION OF A SUITABLE BLAST DOOR FOR YOUR APPLICATION.
  - MINIMUM STANDOFF DISTANCE VARIES WITH DOOR SIZE. PLEASE CONSULT AMBICO FOR ALTERNATIVE DOOR SIZES.
  - BLAST DOOR OPENINGS CAN REQUIRE LARGE JAMB DEPTHS. PLEASE CONSULT FACTORY TO ENSURE DESIGN CAN ACCOMMODATE THE WALL THICKNESS.
  - PLEASE PROVIDE WALL DETAILS TO AMBICO FOR DETERMINATION OF APPROPRIATE ANCHOR SIZE, TYPE & QTY.



DRAWING TITLE:  
**TYPICAL BLAST RESISTANT STEEL FRAME FOR UFC APPLICATIONS**

DATE:	2021/01/26
DRAWN BY:	ASC
REVISION:	2