

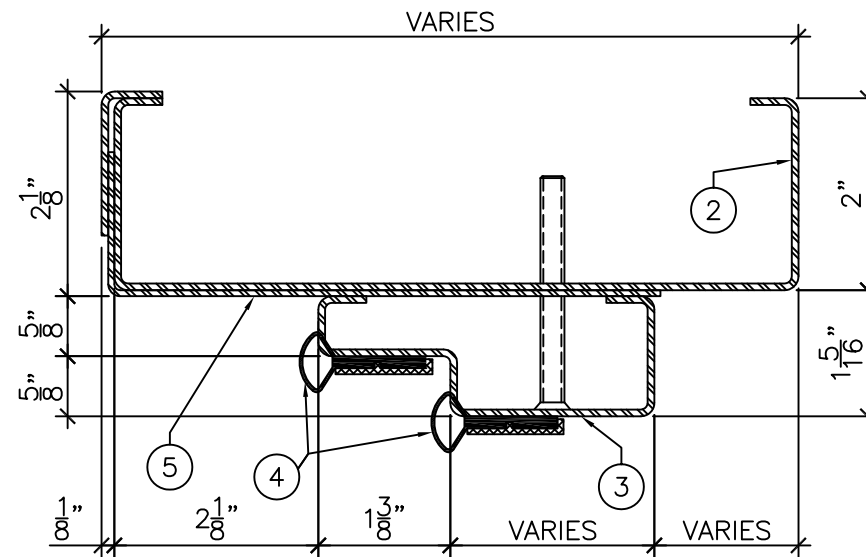
ELEVATION
 $\frac{3}{4}'' = 1'-0''$

NOTES:

- FRAME MUST BE INSTALLED AT TOP LEVEL OF FINISHED FLOOR COVERING MATERIAL (DO NOT EMBED JAMB IN FLOOR).
- MINIMUM LOCK BACKSET REQUIRED OF 3 3/4".
- FRAME TO BE PREPARED FOR CAM-LIFT HINGES. HINGES SUPPLIED LOOSE BY AMBICO.
- ACOUSTIC SEALS DIMINISH THE FRAME CLEAR OPENING SIZE AS FOLLOWS:
 - REBATE WIDTH LESS 3 1/16" = CLEAR OPENING WIDTH OF FRAME.
 - REBATE HEIGHT LESS 1 17/32" = CLEAR OPENING HEIGHT OF FRAME.

LEGEND:

1. 1/4" HIGH ACOUSTIC THRESHOLD.
2. CASE OPEN BASE FRAME.
3. PLANTED STOP FIXED TO CASE OPEN BASE FRAME WITH COUNTERSUNK SCREWS.
4. ACOUSTIC PERIMETER SEALS TO BE FITTED AND FASTENED TO JAMBS AND HEAD ON SITE BY INSTALLER.
5. ACOUSTIC NEOPRENE SEPTUM TO EXTEND BENEATH PLANTED STOP AND CLAMPED TO FRAME FACE WITH ANGLE.



DETAIL "A"
 $6'' = 1'-0''$



DRAWING TITLE:

ACOUSTIC STEEL PAIRED FRAME AND PERIMETER SEALS FOR WOOD DOORS
STC 55 - NON-FIRE RATED

DATE: 2020/08/19

DRAWN BY: B. NEIL

REVISION: 4