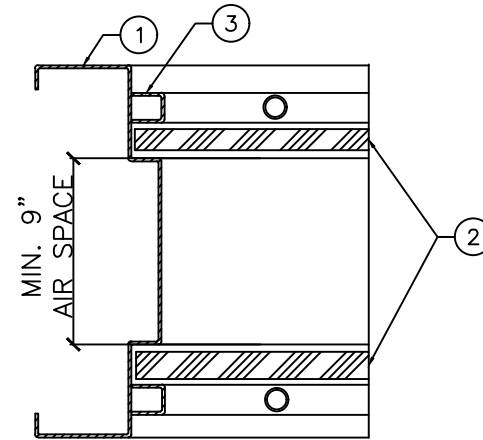
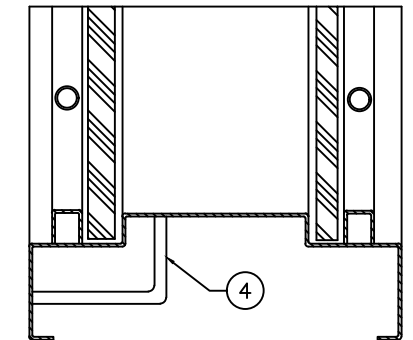
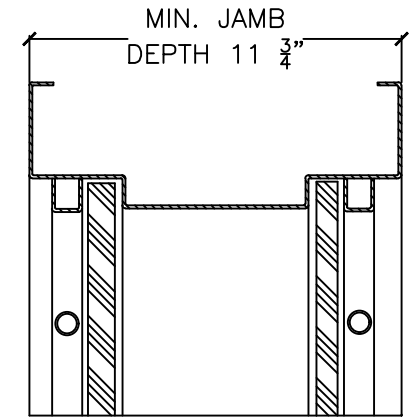


ELEVATION
 $3/4" = 1'-0"$



DETAIL "A"
 $3"-0" = 1'-0"$



DETAIL "B"
 $3"-0" = 1'-0"$

LEGEND:

1. ACOUSTIC STEEL FRAME
2. CLEAR ACOUSTIC LAMINATED GLASS
3. REMOVABLE GLAZING BEADS
4. PURGE PORTS - 2 PLACES



DRAWING TITLE:

ACOUSTIC BORROWED LITE - SINGLE UNIT
STC 56

DATE: -

DRAWN BY: -

REVISION: