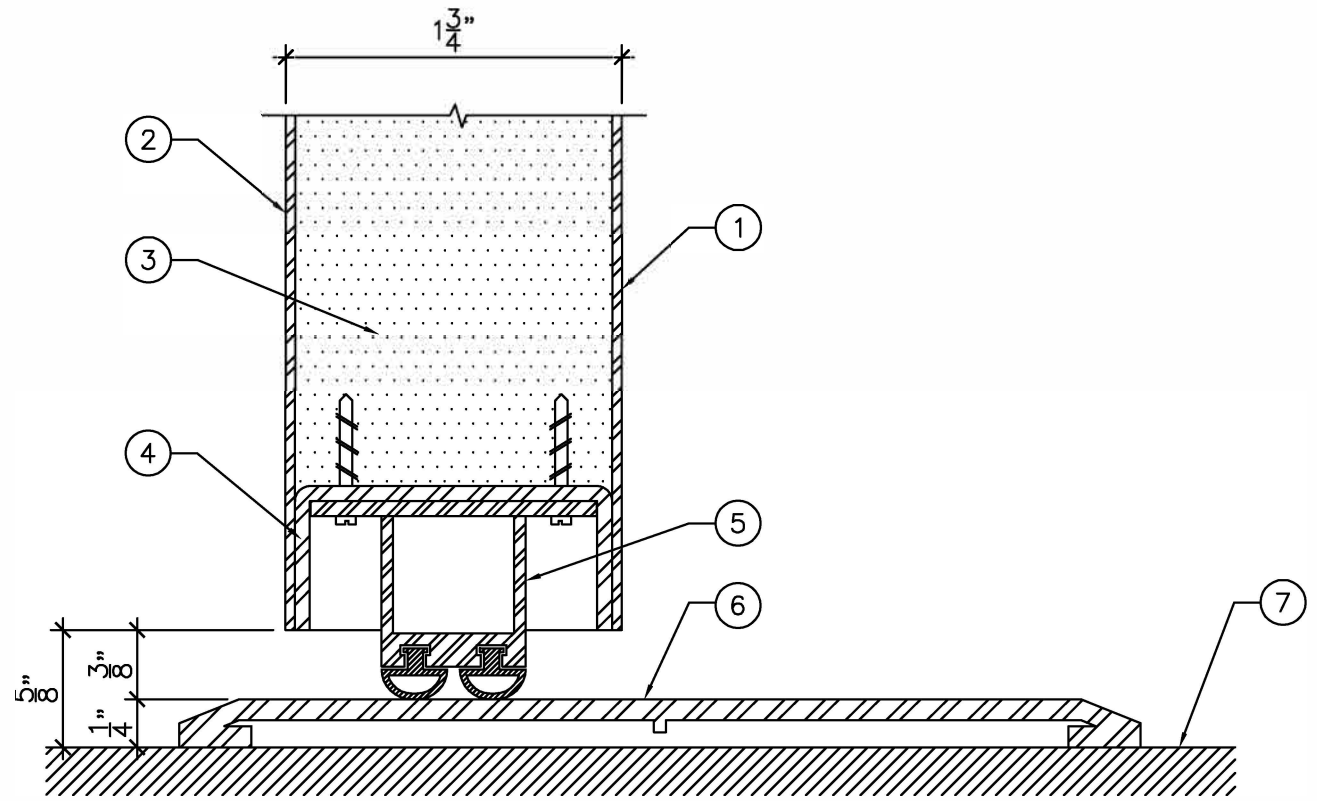


ELEVATION
 $3/4" = 1'-0"$

LEGEND:

1. STEEL BACK SKIN.
2. STEEL FRONT SKIN.
3. ALL VOIDS FILLED WITH SOUND DEADENER.
4. BOTTOM CHANNEL.
5. ACOUSTIC MORTISED DROP DOOR BOTTOM.
6. 1/4" HIGH FLAT ACOUSTIC THRESHOLD.
7. FINISHED FLOOR COVERING MATERIAL.
8. STEEL STIFFENERS EQUALLY SPACED ON FRONT AND BACK PANELS.



BOTTOM DETAIL "A"
 $1"-0" = 1"-0"$



DRAWING TITLE:
**ACOUSTIC STEEL DOOR AND DOOR BOTTOM
 FROM STC 33 TO STC 38**

DATE:	
DRAWN BY:	
REVISION:	0