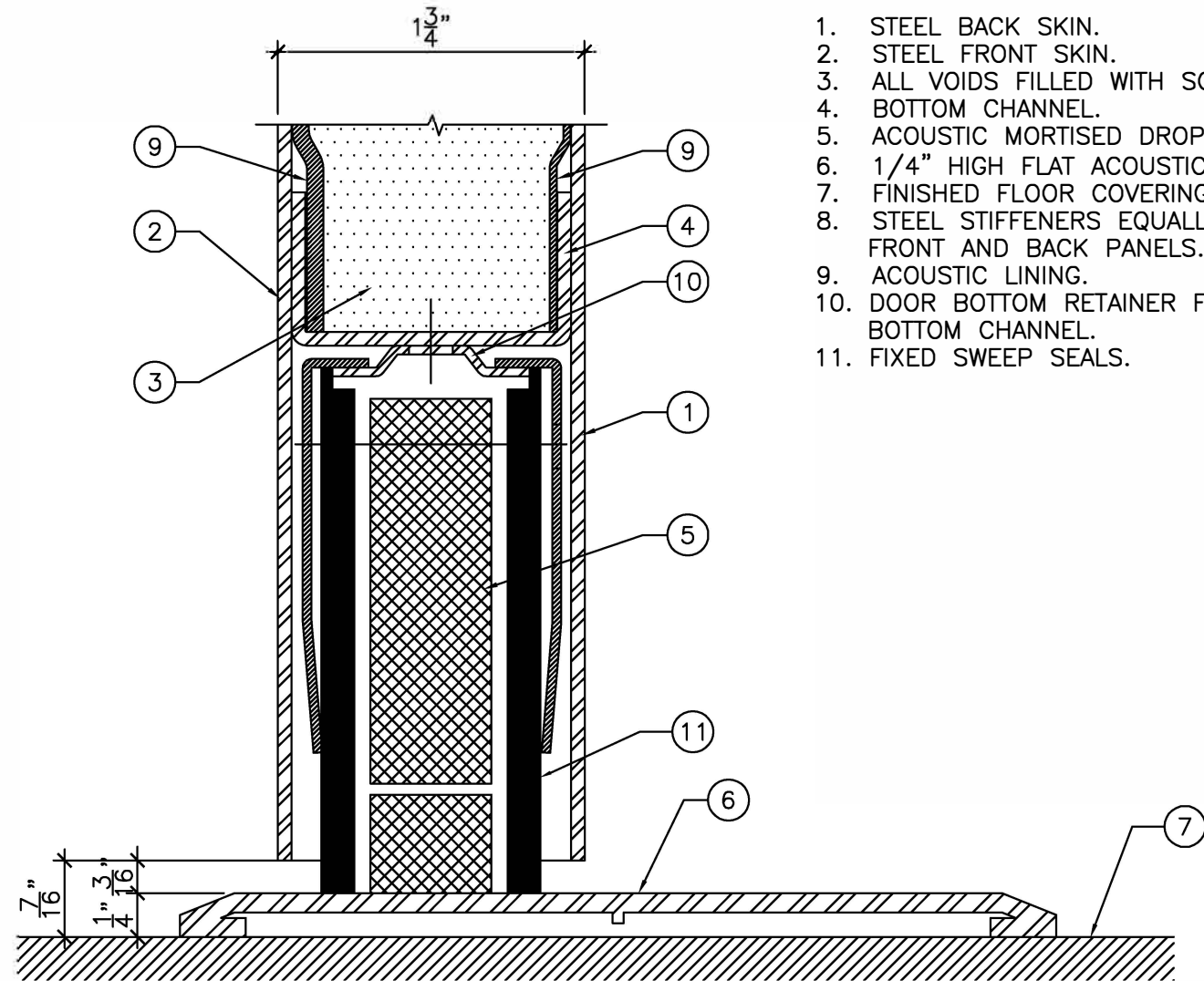


ELEVATION

3/4" = 1'-0"



BOTTOM DETAIL "A"

1"-0" = 1'-0"

LEGEND:

1. STEEL BACK SKIN.
2. STEEL FRONT SKIN.
3. ALL VOIDS FILLED WITH SOUND DEADENER.
4. BOTTOM CHANNEL.
5. ACOUSTIC MORTISED DROP DOOR BOTTOM.
6. 1/4" HIGH FLAT ACOUSTIC THRESHOLD.
7. FINISHED FLOOR COVERING MATERIAL.
8. STEEL STIFFENERS EQUALLY SPACED ON FRONT AND BACK PANELS.
9. ACOUSTIC LINING.
10. DOOR BOTTOM RETAINER FASTENED TO BOTTOM CHANNEL.
11. FIXED SWEEP SEALS.



DRAWING TITLE:

**ACOUSTIC STEEL DOOR AND DOOR BOTTOM
STC 52**

DATE:

DRAWN BY:

REVISION:

0