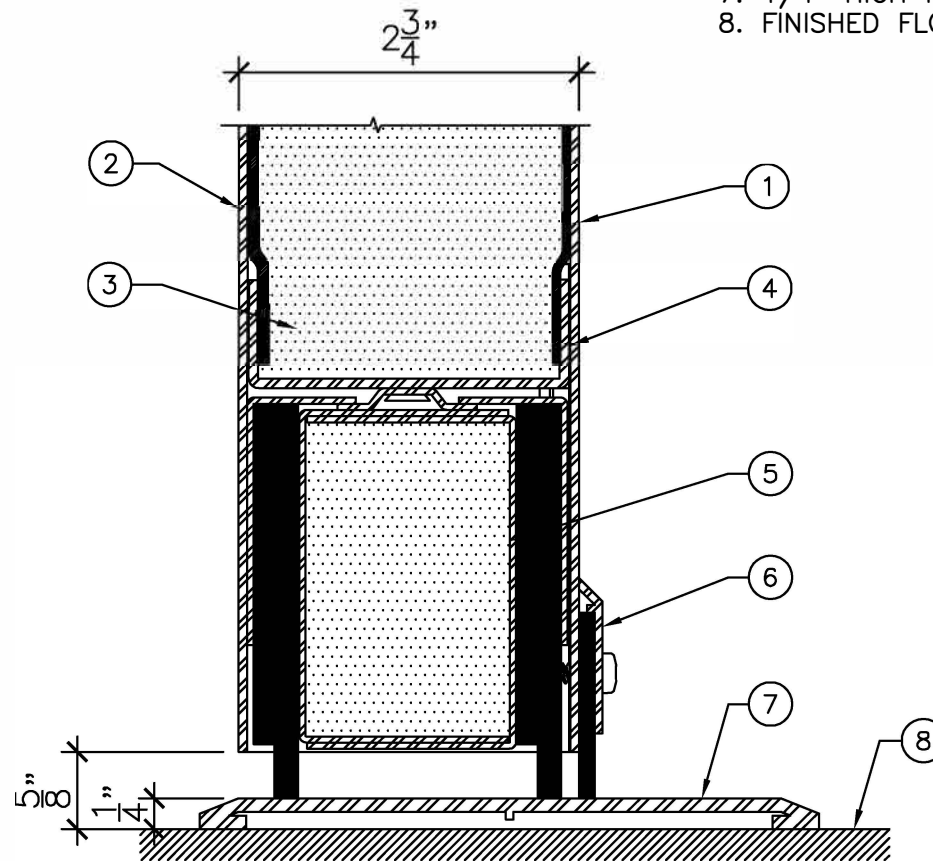


ELEVATION
 $\frac{3}{4}'' = 1'-0''$



BOTTOM DETAIL "A"
 $1''-0'' = 1''-0''$

LEGEND:

1. BACK SKIN.
2. FRONT SKIN.
3. ALL VOIDS FILLED WITH SOUND DEADENER.
4. BOTTOM CHANNEL.
5. MORTISED FIXED DOOR BOTTOM SEAL.
6. SURFACE SWEEP SEAL.
7. 1/4" HIGH FLAT THRESHOLD.
8. FINISHED FLOOR COVERING MATERIAL.



DRAWING TITLE:

ACOUSTIC STEEL DOOR AND DOOR BOTTOM
STC 54 TO STC 55 PAIRS AND STC 54 TO STC 56 SINGLES

DATE:

DRAWN BY:

REVISION:

0