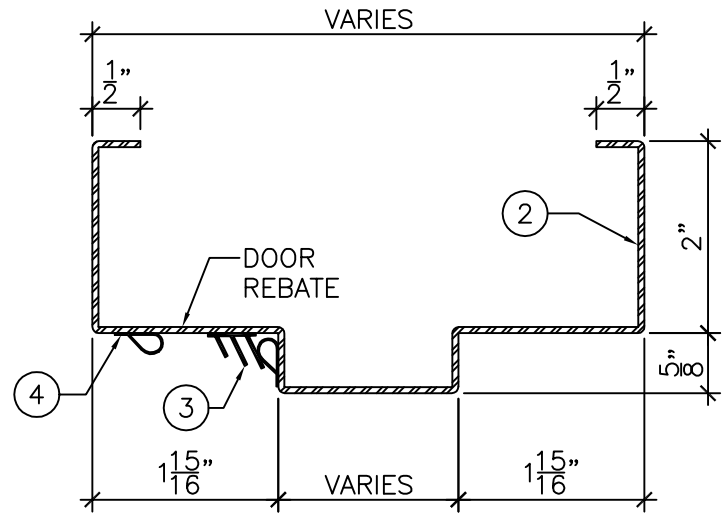
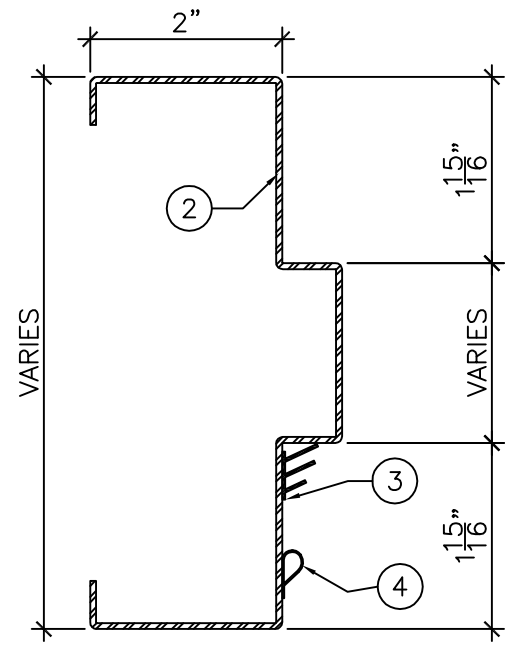


ELEVATION
3/4" = 1'-0"



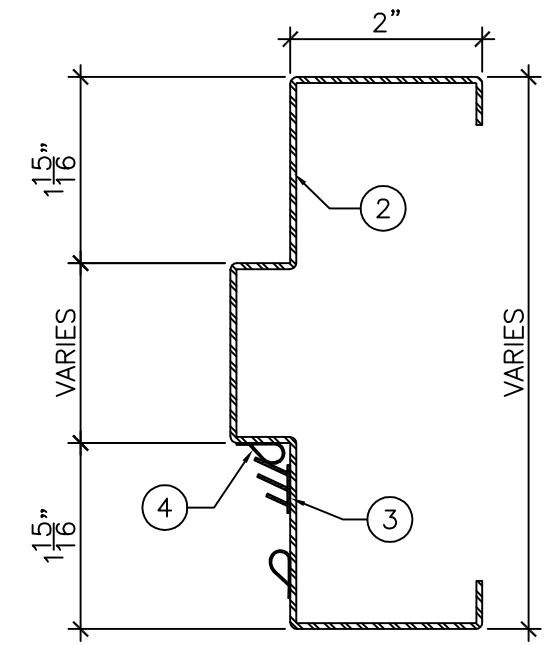
DETAIL "A"
6" = 1'-0"



DETAIL "B"
6" = 1'-0"

LEGEND:

1. 1/4" HIGH ACOUSTIC THRESHOLD.
2. PRESSED STEEL ACOUSTIC FRAME TO BE INSTALLED AT TOP LEVEL OF FINISHED FLOOR COVERING MATERIAL. (DO NOT EMBED IN FLOOR FINISHING).
3. ACOUSTIC PERIMETER SEAL TO BE FITTED AND FASTENED TO JAMBS AND HEAD BY INSTALLER ON SITE.
4. ACOUSTIC PERIMETER BULB SEAL TO BE FITTED AND FASTENED TO JAMBS ONLY BY INSTALLER ON SITE.



DETAIL "C"
6" = 1'-0"



DRAWING TITLE:
ACOUSTIC STEEL PAIRED FRAME AND PERIMETER SEALS FOR WOOD DOORS
STC 36 TO STC 46

DATE:	OCTOBER 17, 2016
DRAWN BY:	TWB
REVISION:	0