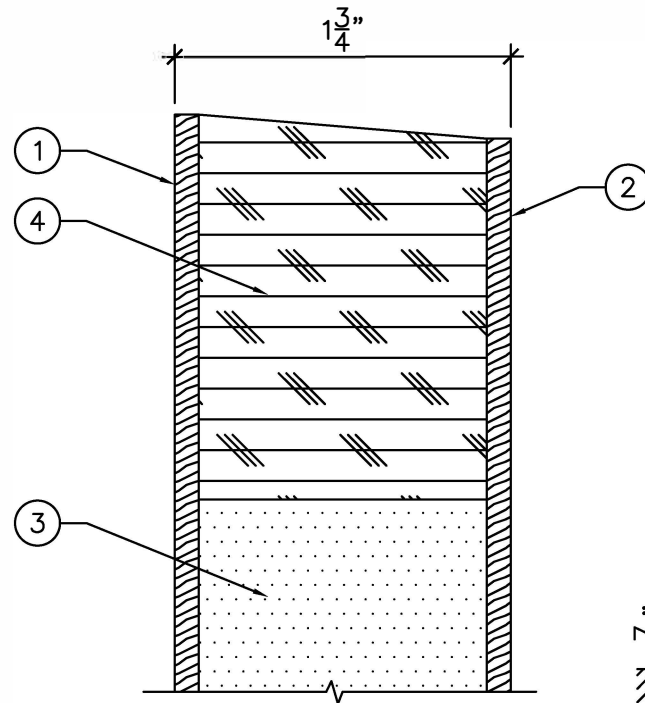


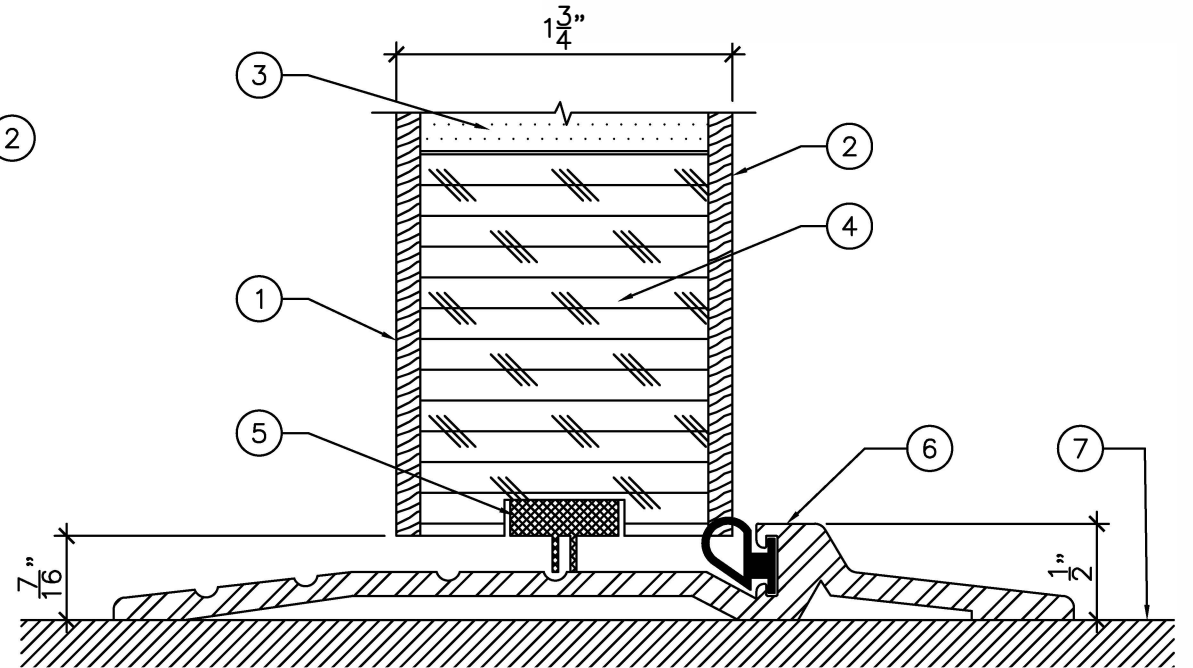
ELEVATION
3/4" = 1'-0"

- NOTES:
- ALL DOORS INCLUDE FACTORY PRE-MACHINING FOR HARDWARE.
 - ALL DOORS INCLUDE FACTORY SEALING OF EDGES.
 - FACTORY PRE-FINISHING IS OPTIONAL.
SPECIFIED FACTORY FINISH TO BE: ____



TOP DETAIL "A"
1"-0" = 1'-0"

- LEGEND:
1. WOOD FACE VENEER (PULL SIDE).
FACE VENEER TO BE: ____
 2. WOOD FACE VENEER (PUSH SIDE).
FACE VENEER TO BE: ____
 3. FIRE RATED ACOUSTIC CORE.
 4. HARDWOOD STILES AND RAILS.
 5. HEAT ACTIVATED SWEEP SEAL.
 6. 1/2" HIGH ACOUSTIC STEPPED THRESHOLD.
 7. FINISHED FLOOR COVERING MATERIAL.



BOTTOM DETAIL "B"
1"-0" = 1'-0"



DRAWING TITLE:
WOOD CLAD ACOUSTIC DOOR - FIRE RATED
STC 36 TO STC 40

DATE: _____
DRAWN BY: _____
REVISION: _____ 0