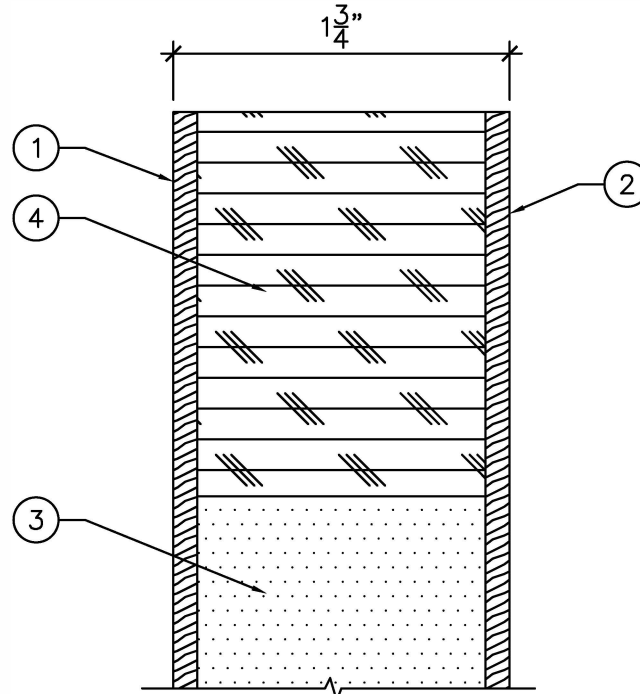


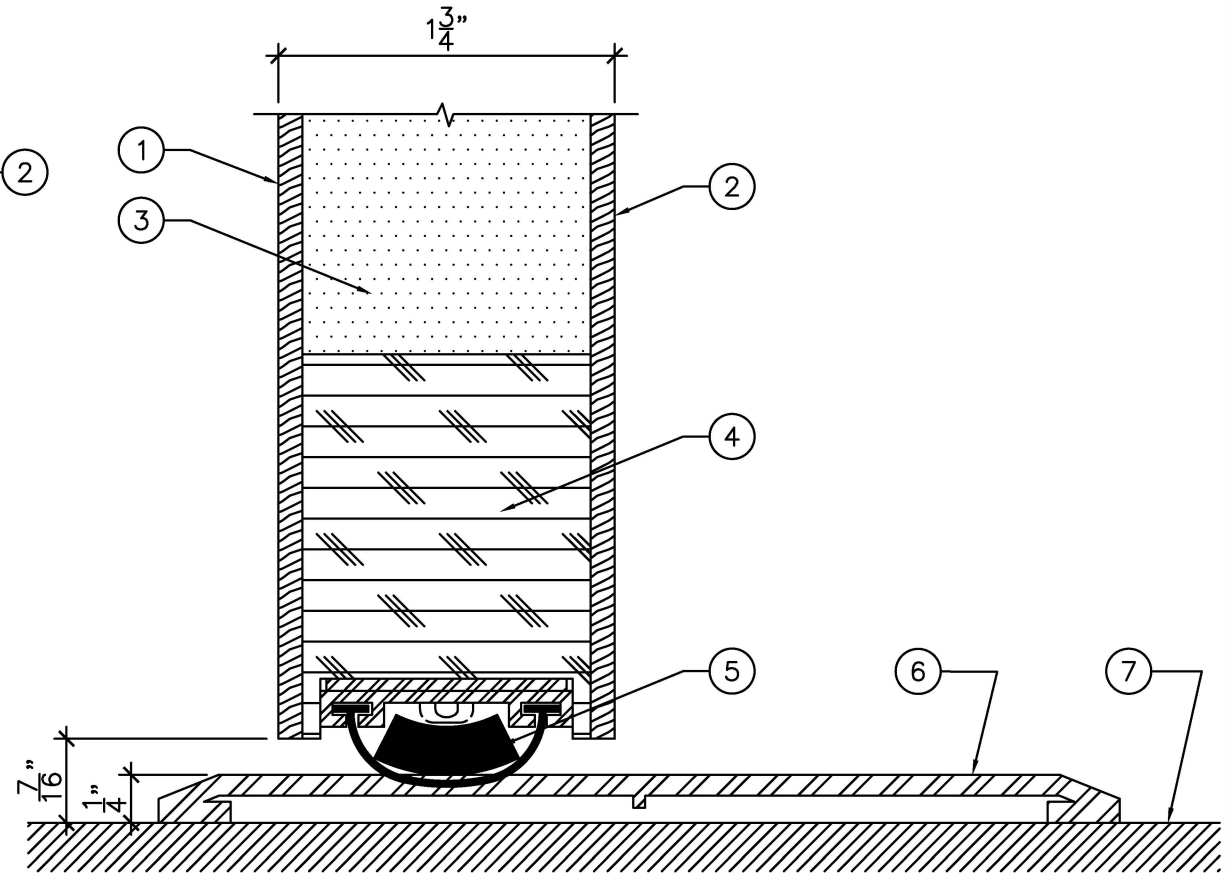
ELEVATION
3/4" = 1'-0"

- NOTES:
- ALL DOORS INCLUDE FACTORY PRE-MACHINING FOR HARDWARE.
 - ALL DOORS INCLUDE FACTORY SEALING OF EDGES.
 - FACTORY PRE-FINISHING IS OPTIONAL. SPECIFIED FACTORY FINISH TO BE: ____.

- LEGEND:
1. WOOD FACE VENEER (PULL SIDE). FACE VENEER TO BE: ____.
 2. WOOD FACE VENEER (PUSH SIDE). FACE VENEER TO BE: ____.
 3. ACOUSTIC CORE.
 4. HARDWOOD STILES AND RAILS.
 5. SWEEP SEAL.
 6. 1/4" HIGH FLAT ACOUSTIC THRESHOLD.
 7. FINISHED FLOOR COVERING MATERIAL.



TOP DETAIL "A"
1"-0" = 1'-0"



BOTTOM DETAIL "B"
1"-0" = 1'-0"



DRAWING TITLE:
**WOOD CLAD ACOUSTIC DOOR - NON FIRE RATED
FROM STC 33 TO STC 35**

DATE: _____
DRAWN BY: _____
REVISION: _____ 0