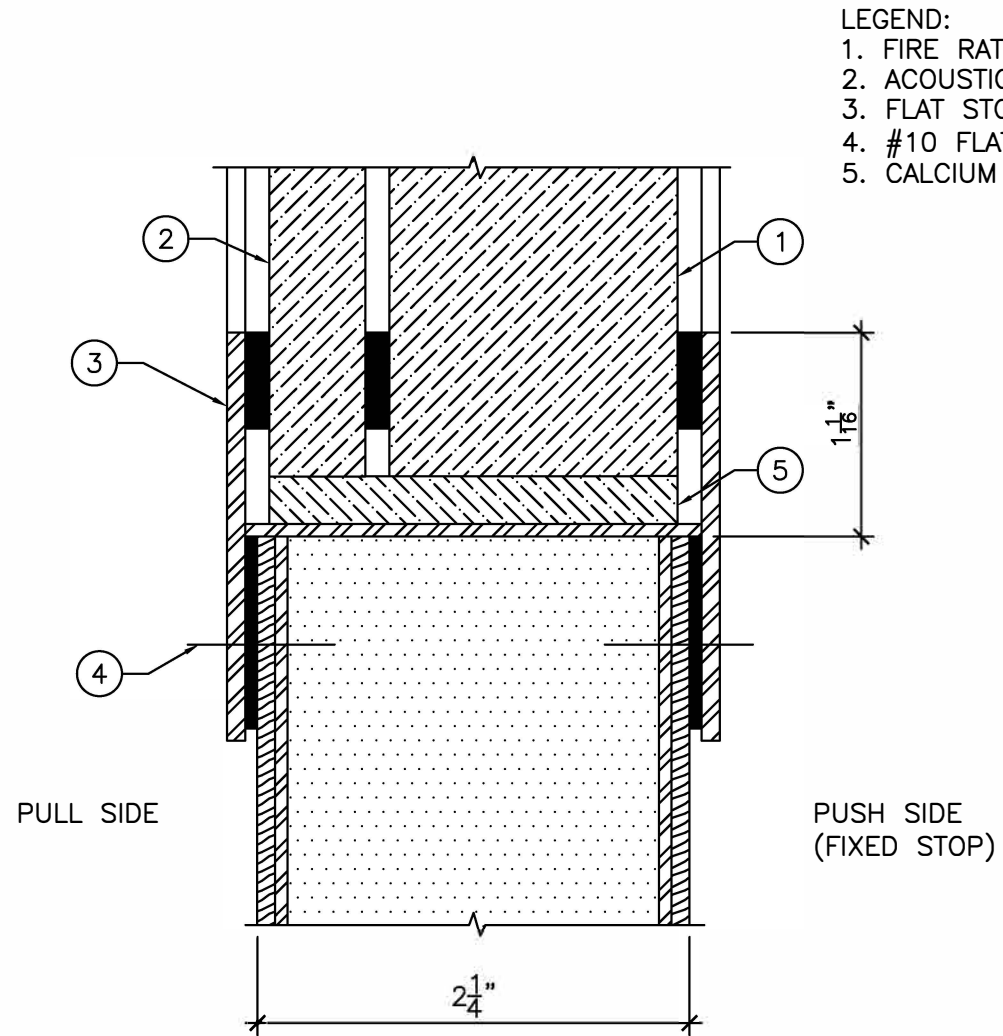


ELEVATION

3/4" = 1'-0"

VISION LITE DIMENSIONS SHOWN
REFER TO CUTOUT SIZE



SECTION "A"

1'-0" = 1'-0"

FOR STC 51 RATING MAX AREA
OF CUTOUT = 367 SQ.IN.

- LEGEND:
1. FIRE RATED GLASS.
 2. ACOUSTIC GLASS.
 3. FLAT STOP WITH WELDED CORNERS.
 4. #10 FLAT HEAD SCREWS BOTH SIDES.
 5. CALCIUM SILICATE SETTING BLOCK.

- NOTES:
- MAX. 157 SQ. IN. CUTOUT @ 90 MINUTES.
 - MINIMUM STILE AND RAIL 4-15/16" TO CUTOUT.



DRAWING TITLE:

WOOD DOOR LITE KIT #15 - FIRE RATED

DATE:

DRAWN BY:

REVISION:

0