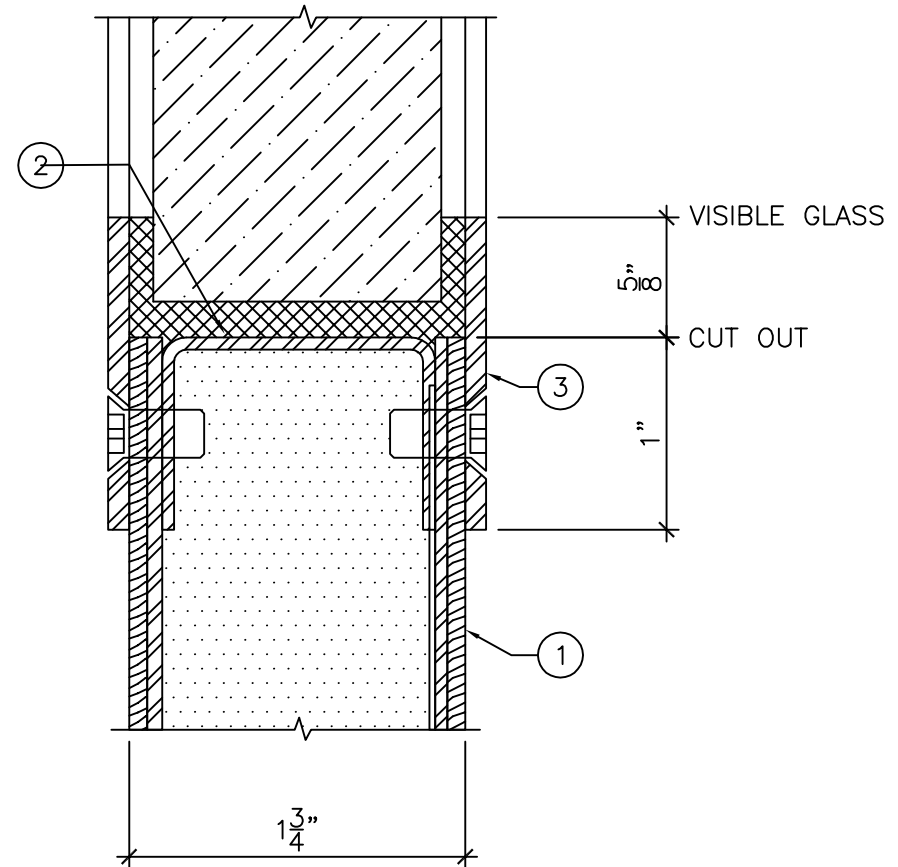


**ELEVATION**

$\frac{3}{4}'' = 1'-0''$

VISION LITE DIMENSIONS SHOWN  
REFER TO CUTOUT SIZE

- LEGEND:
- 1. ACOUSTIC WOOD DOOR.
  - 2. STEEL CHANNELS.
  - 3. PRIMED STEEL REMOVABLE STOPS.
  - 4. ACOUSTIC GLASS.



**SECTION "A"**

$1'-0'' = 1'-0''$

FOR STC 50 RATING MAX AREA  
OF CUTOUT = 345 SQ.IN.