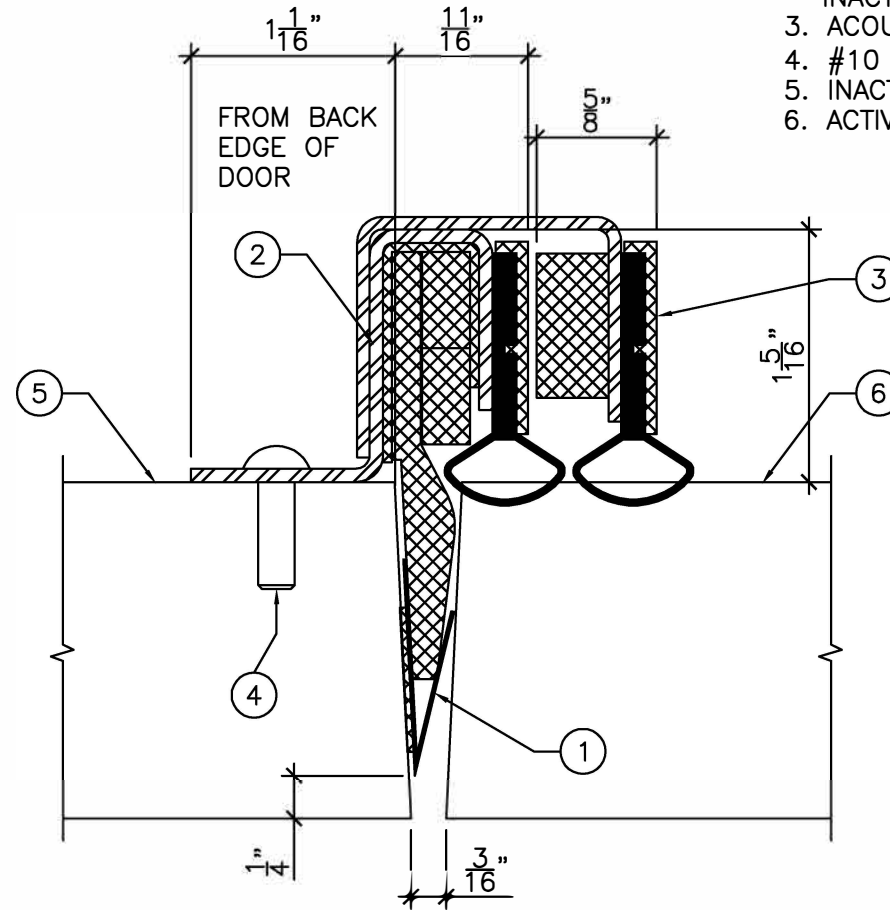


LEGEND:

1. BRONZE ACOUSTIC SEAL. MOUNT ON INSIDE EDGE OF INACTIVE LEAF APPROX. 1/4" BACK FROM EDGE.
2. 14GA ACOUSTIC ASTRAGAL FASTENED TO THE PUSH SIDE OF THE INACTIVE DOOR LEAF.
3. ACOUSTIC RUBBER SEAL.
4. #10 PAN HEAD SCREWS.
5. INACTIVE DOOR LEAF.
6. ACTIVE DOOR LEAF.



ASTRAGAL SECTION

1'-0" = 1'-0"



DRAWING TITLE:

**ASTRAGAL FOR ACTIVE / INACTIVE DOOR
STC 53**

DATE:

DRAWN BY:

REVISION:

0