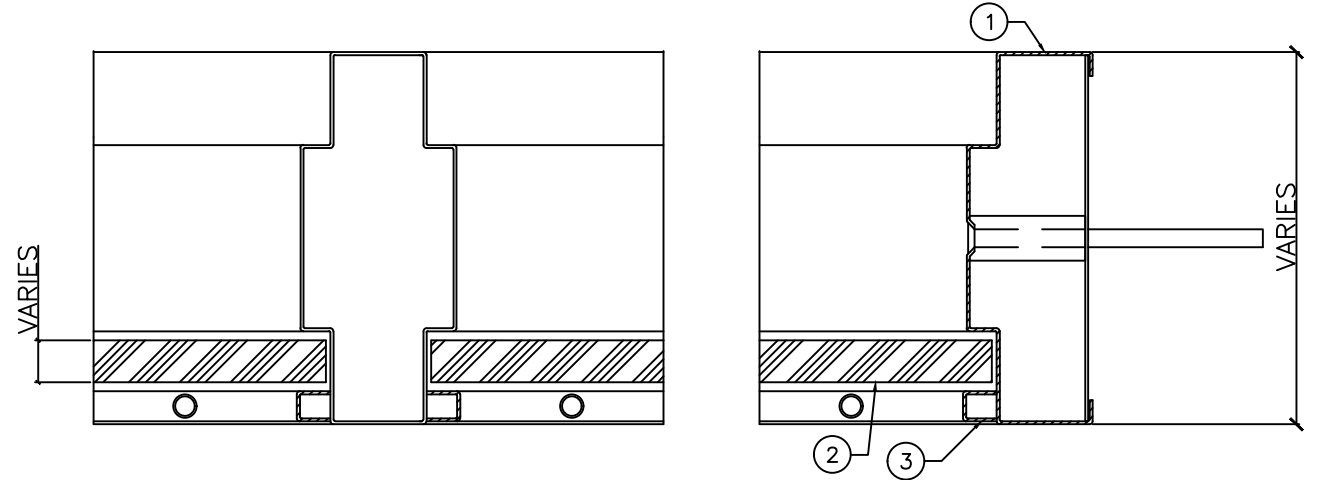


ELEVATION
 $1/2'' = 1'-0''$



DETAIL "A"
 $3''-0'' = 1'-0''$

LEGEND:

- 1. BLAST RESISTANT FRAME
- 2. BLAST RESISTANT GLASS
- 3. REMOVABLE GLAZING BEADS

NOTE:

- BLAST RESISTANT CAPABILITY IS DETERMINED BY SIZE AND PERFORMANCE REQUIREMENTS
- ARCHITECT/CONTRACTOR TO ENSURE WALL CAN RESIST POINT LOAD APPLIED BY FRAME ANCHORS
- QUANTITY AND TYPE OF ANCHORS DEPENDS ON WALL CONSTRUCTION AND PERFORMANCE REQUIREMENTS



DRAWING TITLE:

**TYPICAL BLAST RESISTANT BORROWED LITE
 DOUBLE UNIT**

DATE: -

DRAWN BY: -

REVISION: