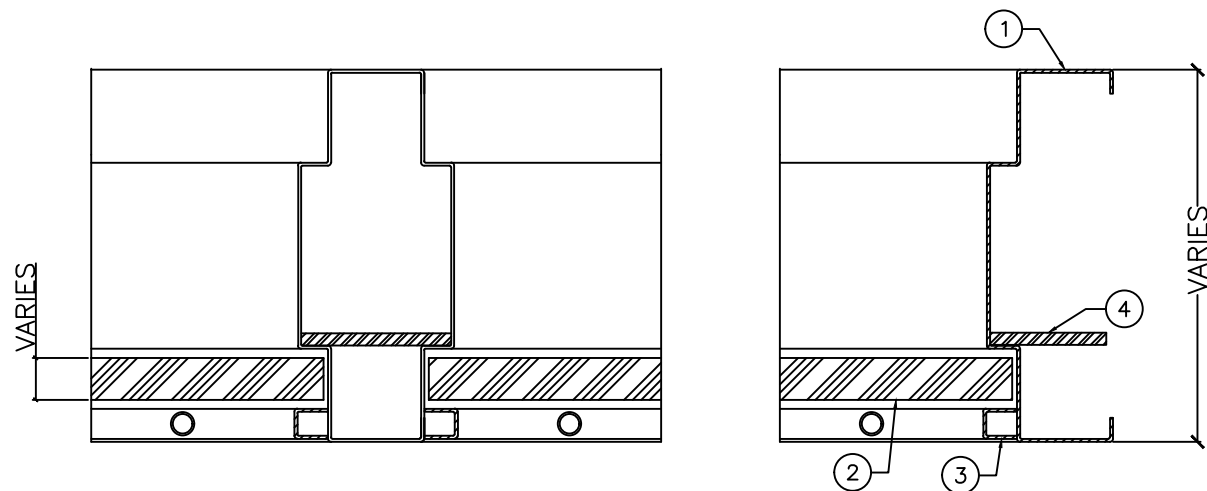


ELEVATION
 $1/2'' = 1'-0''$



DETAIL "A"
 $3''-0'' = 1'-0''$

LEGEND:

- 1. PRESSED STEEL FRAME
- 2. BULLET RESISTANT GLASS
- 3. REMOVABLE GLAZING BEADS
- 4. ARMOUR PLATE AS REQUIRED

NOTE:

— GLASS THICKNESS CHANGES WITH BULLET RATING



DRAWING TITLE:

**BULLET RESISTANT BORROWED LITE
 DOUBLE UNIT**

DATE: —

DRAWN BY: —

REVISION: