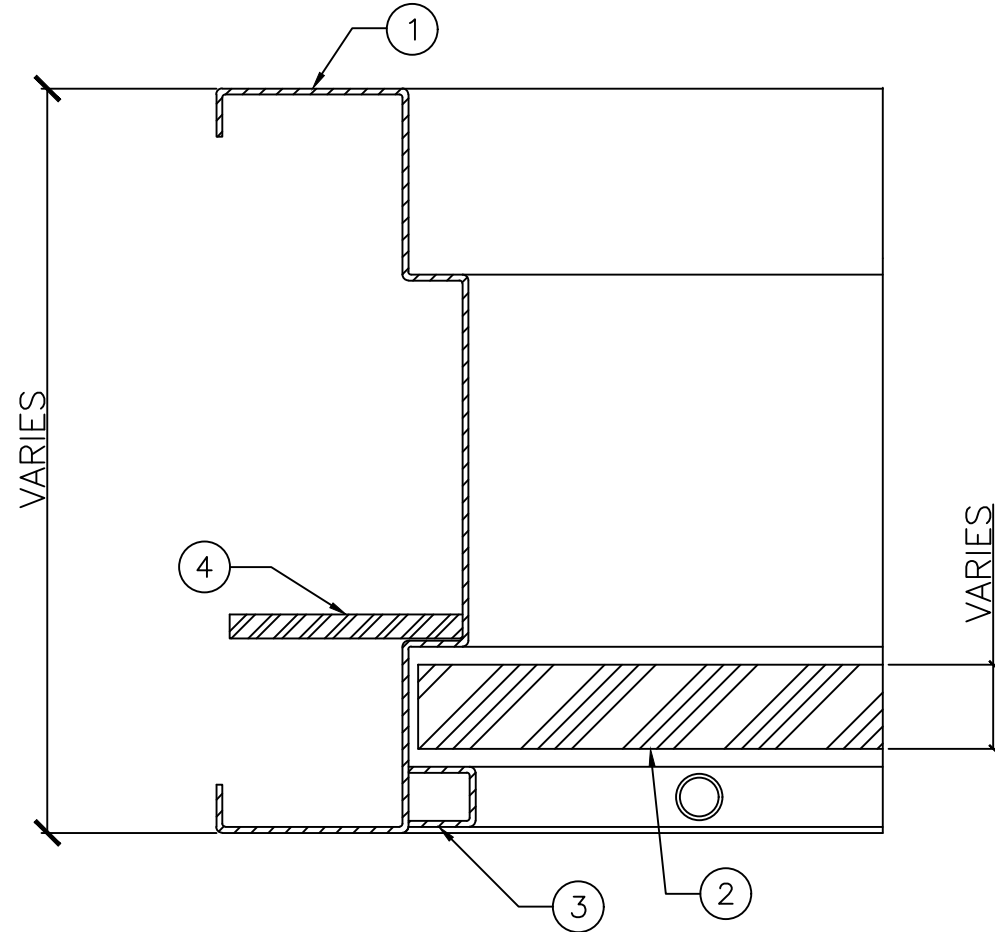


**ELEVATION**  
 $3/4" = 1'-0"$



**DETAIL "A"**  
 $6"-0" = 1'-0"$

LEGEND:

- 1. PRESSED STEEL FRAME
- 2. BULLET RESISTANT GLASS
- 3. REMOVABLE GLAZING BEADS
- 4. ARMOUR PLATE AS REQUIRED

NOTE:

— GLASS THICKNESS CHANGES WITH BULLET RATING



DRAWING TITLE:

**BULLET RESISTANT BORROWED LITE  
 SINGLE UNIT**

DATE:	—
DRAWN BY:	—
REVISION:	