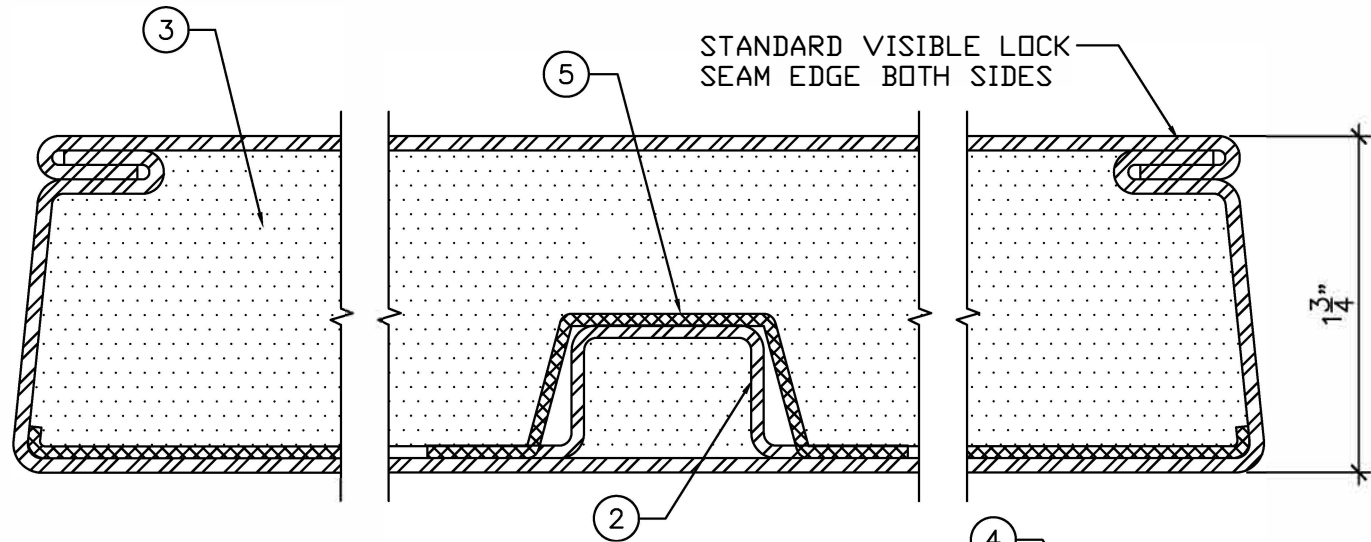
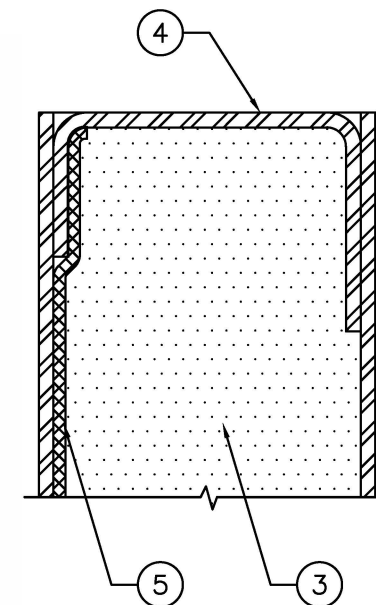


**ELEVATION**  
 $\frac{3}{4}'' = 1'-0''$

- LEGEND:
1. HOLLOW METAL DOOR.
  2. STEEL-STIFFENED CORE.
  3. FIBERGLASS INSULATION.
  4. STANDARD FLUSH TOP & BOTTOM CHANNELS.
  5. LEAD LINING.



**SECTION "A"**  
 $1'-0'' = 1'-0''$



**SECTION "B"**  
 $1'-0'' = 1'-0''$



DRAWING TITLE:  
**LEAD LINED DOOR**

DATE:  
 DRAWN BY:  
 REVISION: 0