

**ELEVATION**

$\frac{3}{4}'' = 1'-0''$

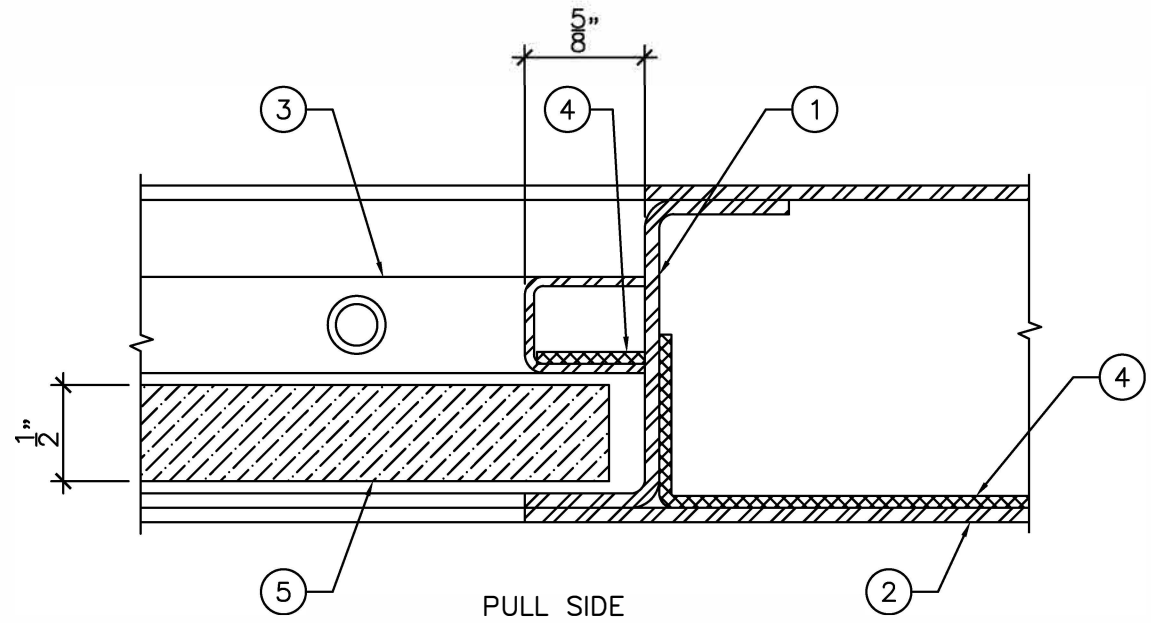
VISION LITE DIMENSIONS SHOWN  
REFER TO CUTOUT SIZE

**LEGEND:**

- 1. LITE CUTOUT REINFORCING.
- 2. FIXED GLAZING BEADS.
- 3. REMOVABLE GLAZING BEADS.
- 4. X-RAY LEAD LINING.
- 5. LEADED GLASS (MAX. 7/8" THICK).

**NOTE:**

DIMENSIONS SHOWN ARE CUTOUT DIMENSIONS.  
VISIBLE GLASS DIMENSIONS ARE LESS 1 1/4".



**SECTION "A"**

$1'-0'' = 1'-0''$



DRAWING TITLE:

**LEAD LINED DOOR WITH LITE KIT**

DATE:

DRAWN BY:

REVISION: